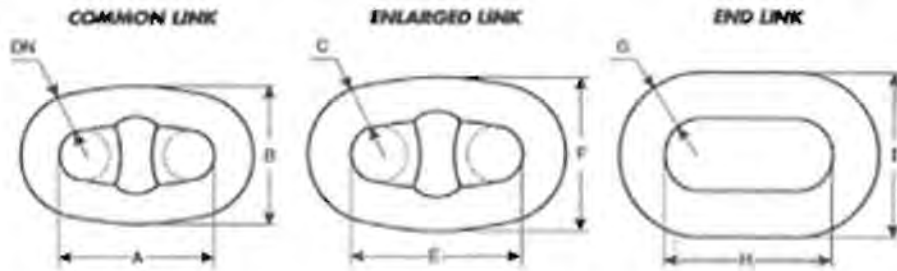




making waves in all the right places

DIMENSIONS OF STUD LINK CHAIN CABLES

Please note that dimensions and weights are nominal and small variations are reserved. E & OE



Coupling Systems

Coupling to the Anchor
Coupling to the Chain Locker

Fittings, Shackles, Swivels & Links

Anchor Shackle
Det. Anchor Pear- Shaped Link
Jaw and Jaw Swivel Shackle
Kenter Connecting Link
Swivel

Chain Data

Approx weights & details
Stud Link Chain Testing

DN Nominal Size		Common Link		Enlarged Link			End Link			Dimensions over 5 Consecutive Links		Weight kg/m
		A	B	c	E	f	G	h	I	Minimum	Maximum	
mm	Inches	mm	mm	mm	mm	mm	mm	mm	mm	mm	mm	
14	$\frac{3}{16}$	56	50	15	62	55	17	61	56	308	316	4.4
16	$\frac{5}{8}$	64	58	18	70	63	19	70	64	352	361	5.6
17.5	$\frac{11}{16}$	70	63	19	76	68	20.5	76	70	385	395	6.8
19	$\frac{3}{4}$	76	68	20.5	82	74	22	83	76	418	428	8.1
20.5	$\frac{13}{16}$	82	74	22	88	79	24	89	82	451	462	9.4
22	$\frac{7}{8}$	88	79	24	96	86	26	96	88	484	496	10.8

DN		Common		Enlarged Link			End Link			Dimensions over 5		Weight
Nominal Size		Link								Consecutive Links		
		A	B	c	E	f	G	h	I	Minimum	Maximum	
mm	Inches	mm	mm	mm	mm	mm	mm	mm	mm	mm	mm	kg/m
24	1 ⁵ / ₁₆	96	86	26	104	94	28	104	96	528	541	12.9
26	1	104	94	28	112	101	32	113	104	572	586	15.1
28	1 1/8	112	101	30	120	108	34	122	112	616	631	17.5
30	1 3/16	120	108	34	136	122	36	131	120	660	677	19.9
32	1 1/4	128	115	36	144	130	38	139	128	704	722	22.2
34	1 3/8	136	122	38	152	137	40	148	136	748	767	25.4
36	1 7/16	144	130	40	160	144	44	157	144	792	812	29
38	1 1/2	152	137	42	168	151	46	165	152	836	857	32.3
40	1 5/8	160	144	44	176	158	48	174	160	880	902	35.8
42	1 3/4	168	151	46	184	166	50	183	168	924	947	39.4
44	1 7/8	176	158	48	192	173	52	191	176	968	992	43
46	1 13/16	184	166	50	200	180	56	200	184	1012	1037	47
48	1 7/8	192	173	54	216	194	58	209	192	1056	1082	51
50	1 15/16	200	180	56	224	202	60	218	200	1100	1128	55
52	2 1/16	208	187	58	232	209	62	226	208	1144	1173	59
54	2 1/8	216	194	60	240	216	64	235	216	1188	1218	64
56	2 3/16	224	202	62	248	223	68	244	224	1232	1263	68
58	2 1/4	232	209	64	256	230	70	252	232	1276	1308	73
60	2 3/8	240	216	66	264	238	73	261	240	1320	1353	79
62	2 7/16	248	223	68	272	245	73	270	248	1364	1398	84
64	2 1/2	256	230	70	280	252	76	278	256	1408	1443	90
66	2 5/8	264	238	73	292	263	81	287	264	1452	1488	95
68	2 11/16	272	245	76	304	274	81	296	272	1496	1533	101
70	2 3/4	280	252	78	312	281	84	305	280	1540	1579	107
73	2 7/8	292	263	81	324	292	87	318	292	1606	1646	116
76	3	304	274	84	336	302	92	331	304	1672	1714	126
78	3 1/16	312	281	85	340	306	95	339	312	1716	1759	133
81	3 3/16	324	292	90	360	324	97	352	324	1782	1827	144
84	3 5/8	336	302	92	368	331	100	365	336	1848	1894	155
87	3 7/16	348	313	97	388	349	105	378	348	1914	1962	167
90	3 1/2	360	324	100	400	360	107	392	360	1980	2030	178
92	3 5/8	368	331	102	408	367	111	400	368	2024	2075	186
95	3 3/4	380	342	105	420	378	115	413	380	2090	2142	198
97	3 13/16	388	349	107	428	385	117	422	388	2134	2187	207
100	3 15/16	400	360	111	444	400	120	435	400	2200	2255	220
102	4	408	367	112	448	403	122	444	408	2244	2300	228



APPROXIMATE WEIGHTS & MISC. DETAILS

The Kenter joining shackle is used to join two stud link chain elements ending in a common link or enlarged link. Its made of Heavy Duty forged steel (U2- U3 grade).

Please note that dimensions and weights are nominal and small variations are reserved. E & OE

Diameter mm	Stud Link Chain weights		Common Link	Enlarged Link	End Link	Joining Shackle Kenter	Joining Shackle Type D	Anchor Shackle Type D	Swivel	Swivel Shackle
	kgs/m	kgs/27.5m	kgs	kgs	kgs	kgs	kgs	kgs	kgs	kgs
12.5	3.5	96	0.17	0.23	0.23	0.39	0.8	1.1	0.9	~
14	4.4	121	0.24	0.32	0.36	0.51	1.1	1.3	1.3	~
16	5.8	160	0.36	0.5	0.51	0.62	1.3	1.6	1.7	~
17.5	7.0	193	0.47	0.74	0.68	0.82	1.6	2.0	2.1	~
19	8.1	223	0.60	0.88	0.89	1.00	1.8	2.5	2.5	~
20.5	10.0	275	0.75	1.10	1.13	1.35	2.1	3.3	3.1	~
22	11.1	305	0.93	1.25	1.28	1.6	2.5	4.0	3.5	10
24	13.3	366	1.21	1.70	1.77	2.0	3.5	5.0	5.0	14
26	15.7	432	1.55	2.15	2.20	2.7	4.3	6.0	6.0	18
28	18.3	503	1.9	2.8	2.9	3.3	5.0	8.0	7.5	23
30	21.0	578	2.4	3.2	3.3	3.9	7.0	9.5	9.0	28
32	23.9	657	2.9	3.9	4.0	4.6	7.5	12.0	11.0	33
34	27.0	743	3.4	4.7	5.0	5.8	9.5	14.0	13.5	38
36	30.2	831	4.0	5.5	5.9	6.6	11.0	17.0	16.0	46
38	33.7	927	4.7	6.1	6.8	7.8	13.0	20.0	19.0	53
40	37.1	1020	5.5	7.1	8.0	9.1	15.0	23.0	23.0	61
42	40.5	1114	6.4	8.4	9.6	10.5	17.5	26.0	27.0	69
44	44.3	1218	7.4	10.0	11.2	12.2	20.0	29.0	32.0	75
46	48.5	1334	8.5	11.5	13.0	14.0	22.5	33	37.0	82
48	52.8	1452	9.8	13.1	15.0	16.0	26.0	37	44.0	90
50	57	1568	11	15	17	18	29	41	57	97
52	62	1705	13	17	20	20	31	45	57	105
54	66	1815	14	19	22	20	34	50	67	113
56	71	1953	16	21	23	24	38	54	67	120
58	77	2118	17	23	25	28	44	65	80	129
60	83	2283	19	25	27	28	48	70	95	140
62	88	2420	21	28	30	33	52	76	95	140
64	94	2585	23	31	34	38	57	82	112	155
66	100	2750	25	34	38	38	66	94	130	180
68	107	2943	27	37	42	44	70	101	130	180
70	114	3135	30	40	45	44	75	108	152	200
73	124	3410	34	45	52	51	87	124	172	250
76	135	3713	39	50	59	58	99	141	194	315

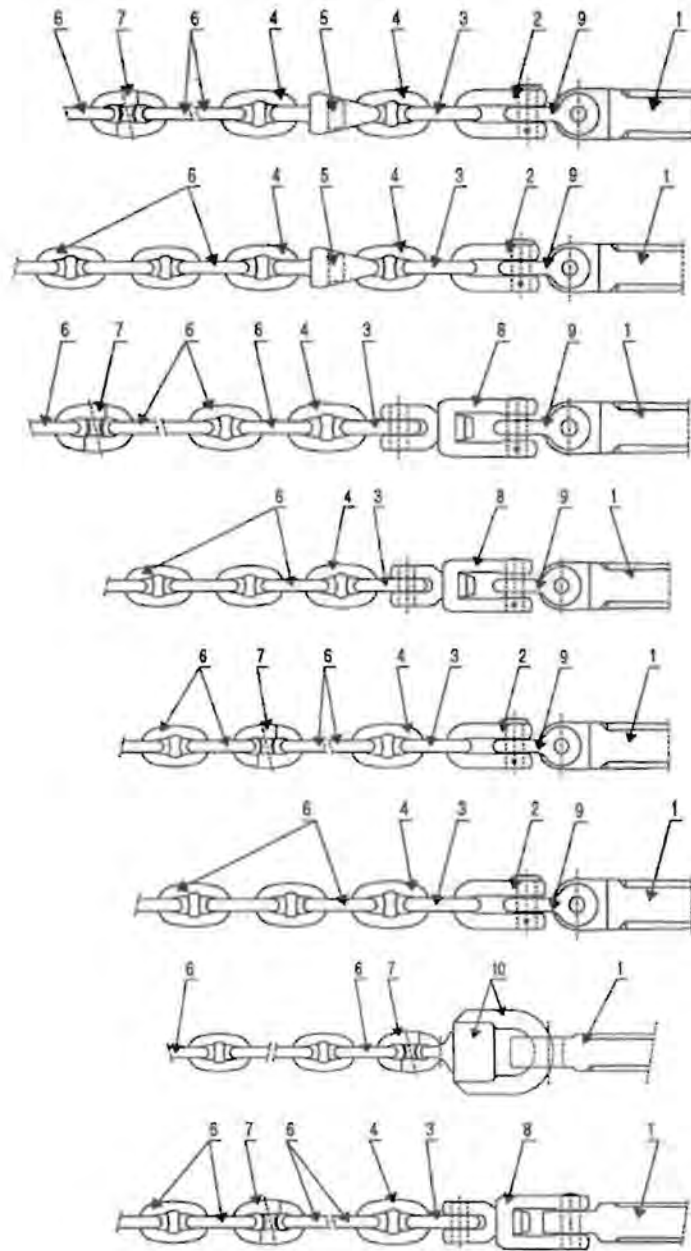


Diameter mm	Stud Link Chain weights		Common Link kgs	Enlarged Link kgs	End Link kgs	Joining Shackle Kenter kgs	Joining Shackle Type D kgs	Anchor Shackle Type D kgs	Swivel kgs	Swivel Shackle kgs
	kgs/m	kgs/27.5m								
78	142	3905	42	55	63	65	106	150	194	315
81	154	4235	46	61	70	74	119	171	220	375
84	166	4565	52	68	78	84	134	193	242	425
87	178	4895	58	75	86	94	150	218	270	475
90	189	5198	64	82	95	105	167	243	300	540
92	199	5473	68	88	100	105	175	256	325	570
95	211	5803	75	98	112	115	200	290	350	610
97	220	6050	80	102	120	135	210	305	350	610
100	234	6435	88	112	130	150	230	335	385	680
102	243	6683	93	120	138	150	243	350	420	772
107	266	7315	109	140	158	175	285	410	495	830
111	287	7893	120	160	175	200	305	445	535	860
114	304	8360	130	173	193	225	325	475	570	900
117	317	8718	142	185	210	225	345	505	610	950
122	345	9488	160	210	235	267	380	550	650	1000
127	375	10313	182	235	260	315	420	600	720	1080
132	400	11000	205	260	305	370	480	675	760	1150
137	436	11990	230	285	330	390	550	750	900	1500
142	467	12843	255	325	375	450	650	900	1100	1900
147	489	13723	280	395	410	505	720	1055	1200	2100
152	535	14713	310	410	460	545	810	1200	1400	2500
157	570	15675	345	455	510	605	900	1340	1550	2800
162	610	16775	375	500	560	660	980	1450	1700	3000



COUPLING TO THE ANCHOR

Please note that dimensions and weights are nominal and small variations are reserved.

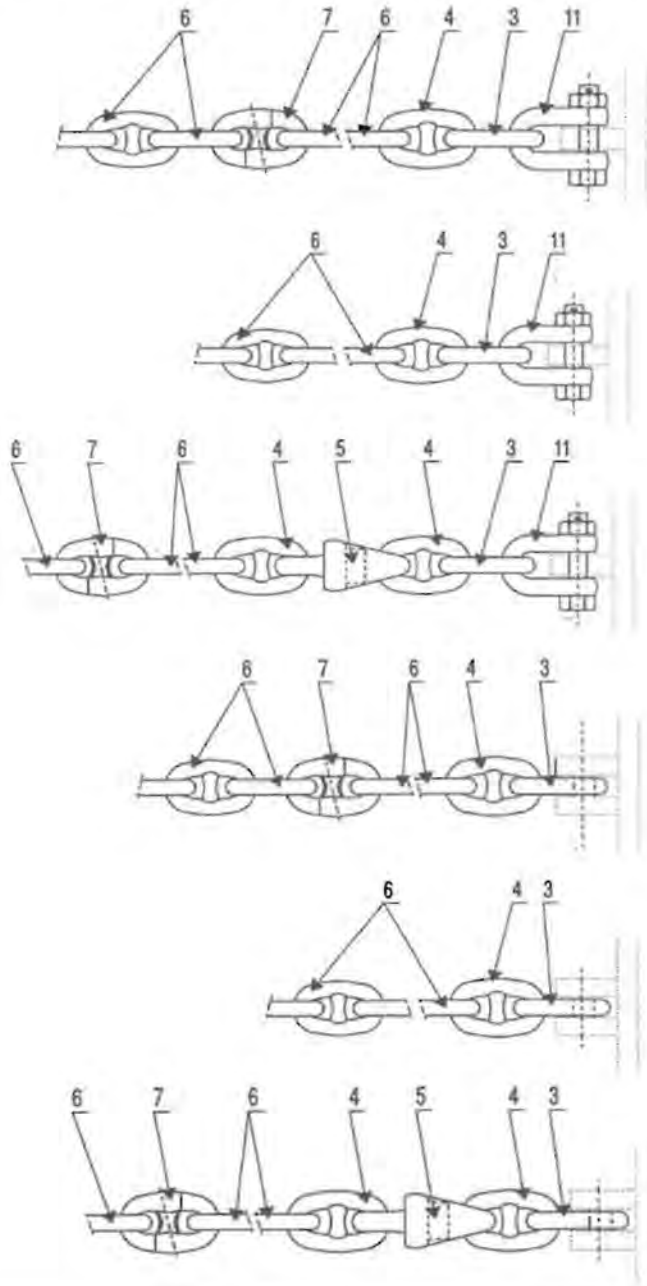


- 1 Anchor shank
- 2 Anchor shackle DT 104
- 3 End link
- 4 Enlarged link
- 5 Swivel
- 6 Common link
- 7 Kenter joining shackle
- 8 Jaw and jaw swivel
- 9 Anchor crown shackle
- 10 Anchor swivel



COUPLING TO THE CHAIN LOCKER

Please note that dimensions and weights are nominal and small variations are reserved.



- 3 End link
- 4 Enlarged link
- 5 Swivel
- 6 Common link
- 7 Kenter joining shackle
- 11 Clinch shackle



STUD LINK CHAIN TESTING

Breaking and proof loads.

Please note that dimensions and weights are nominal and small variations are reserved. E & OE

DN Nominal Size		QUAL 2 High Strength (Q2-U2-K2-Grade 2) R>490 N/mm2 A%> 22		QUAL 3 Extra High Strength (Q3-U3-K3-Grade 3) R<690 N/mm2 A%> 17 Z%>40	
mm	Inches	Tension Proof Load kN	Breaking Load kN	Tension Proof Load kN	Breaking Load kN
14	5/16	82	116	116	165
16	5/8	107	150	150	216
17.5	11/16	127	180	180	256
19	3/4	150	211	211	301
20.5	13/16	175	245	245	350
22	7/8	200	280	280	401
24	15/16	237	332	332	476
26	1	278	390	390	556
28	1 1/16	321	449	449	642
30	1 1/8	368	514	514	735
32	1 1/4	417	583	583	833
34	1 3/8	468	655	655	937
36	1 7/16	523	732	732	1050
38	1 1/2	581	812	812	1160
40	1 5/8	640	896	896	1280
42	1 3/4	703	981	981	1400
44	1 7/8	769	1080	1080	1550
46	1 15/16	837	1170	1170	1680
48	1 1/2	908	1280	1280	1810
50	1 13/16	981	1370	1370	1960
52	2 1/8	1060	1480	1480	2110
54	2 1/4	1140	1600	1600	2270
56	2 3/8	1220	1710	1710	2450
58	2 1/2	1300	1810	1810	2600
60	2 5/8	1380	1950	1950	2770
62	2 3/4	1470	2060	2060	2950
64	2 7/8	1560	2200	2200	3130
66	2 15/16	1660	2310	2310	3300
68	2 1/2	1750	2450	2450	3500
70	2 3/4	1850	2600	2600	3700
73	2 7/8	2000	2800	2800	4000



DN
Nominal
Size

QUAL 2
High Strength
(Q2-U2-K2-Grade 2) R>490 N/mm2
A%> 22

QUAL 3
Extra High Strength
(Q3-U3-K3-Grade 3) R<690 N/mm2 A%>
17 Z%>40

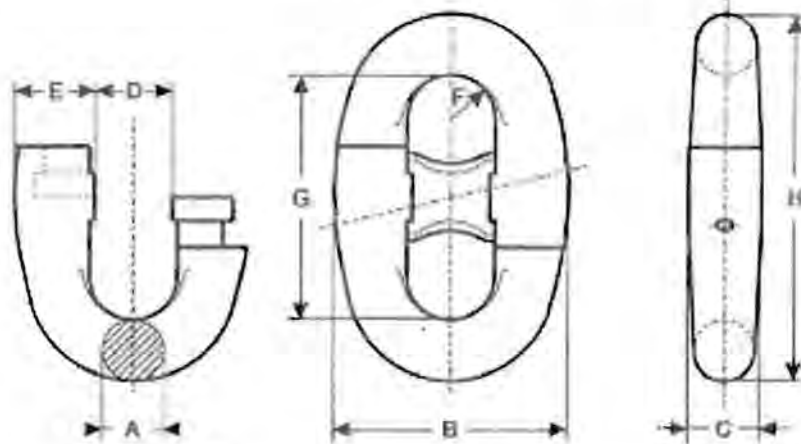
DN		QUAL 2		QUAL 3	
Nominal Size		High Strength		Extra High Strength	
		(Q2-U2-K2-Grade 2) R>490 N/mm2		(Q3-U3-K3-Grade 3) R<690 N/mm2 A%>	
		A%> 22		17 Z%>40	
mm	Inches	Tension Proof Load kN	Breaking Load kN	Tension Proof Load kN	Breaking Load kN
76	3	2150	3010	3010	4300
78	3 1/8	2260	3160	3160	4500
81	3 3/8	2410	3380	3380	4820
84	3 5/8	2600	3610	3610	5160
87	3 7/8	2750	3850	3850	5500
90	3 1/2	2920	4090	4090	5840
92	3 5/8	3040	4260	4260	6080
95	3 3/4	3230	4510	4510	6440
97	3 7/8	3350	4680	4680	6690
100	3 7/8	3530	4940	4940	7060
102	4	3660	5120	5120	7320



KENTER CONNECTING LINK

The Kenter joining shackle is used to join two stud link chain elements ending in a common link. Its made of Heavy Duty forged steel (U2- U3 grade).

Please note that dimensions and weights are nominal and small variations are reserved, E & OE



DN	NS	A	B	C	D	E	F	G	H	
mm	Inches	mm	mm	mm	mm	mm	mm	mm	mm	Kg
14	$\frac{5}{16}$	14	59	21	16	22	9	56	84	0.5
16	$\frac{5}{8}$	16	67	24	18	25	11	64	96	0.6
17.5	$\frac{11}{16}$	18	73	27	20	27	12	70	105	0.8
19	$\frac{3}{4}$	19	79	29	21	29	13	76	114	1
20.5	$\frac{13}{16}$	21	86	31	23	32	14	82	123	1.6
22	$\frac{7}{8}$	22	92	33	24	34	15	88	132	1.6
24	$\frac{15}{16}$	24	100	36	27	37	16	96	144	2
26	1	26	109	40	29	40	17	104	156	2.7
28	$1 \frac{1}{8}$	28	117	43	31	43	18	112	168	3.3
30	$1 \frac{3}{16}$	30	125	46	33	47	20	120	180	3.9
32	$1 \frac{1}{4}$	32	134	49	36	50	21	128	192	4.6
34	$1 \frac{3}{8}$	34	142	52	38	53	22	136	204	5.8
36	$1 \frac{7}{16}$	36	150	55	40	56	24	144	216	6.6
38	$1 \frac{1}{2}$	38	159	58	42	59	25	152	228	7.8
40	$1 \frac{9}{16}$	40	167	61	45	62	26	160	240	9.8
42	$1 \frac{5}{8}$	42	176	64	47	65	28	168	252	10.6
44	$1 \frac{3}{4}$	44	184	67	49	68	29	176	264	12
46	$1 \frac{13}{16}$	46	192	70	51	71	30	184	276	14
48	$1 \frac{7}{8}$	48	201	73	53	74	32	192	288	15.5
50	2	50	209	76	56	78	33	200	300	17.5



DN	NS	A	B	C	D	E	F	G	H	
mm	Inches	mm	mm	mm	mm	mm	mm	mm	mm	Kg
52	2 1/16	52	217	79	58	81	34	208	312	20
54	2 1/8	54	226	82	60	84	36	216	324	22
56	2 3/16	56	234	85	62	87	37	224	336	26
58	2 1/4	58	242	88	65	90	38	232	348	30
60	2 5/16	60	251	91	67	93	40	240	360	31.5
62	2 3/8	62	259	94	70	96	41	248	372	34
64	2 1/2	64	268	97	72	99	42	256	384	38
66	2 5/8	66	276	100	74	102	44	264	396	44
68	2 11/16	68	284	103	76	105	45	272	408	47
70	2 3/4	70	293	106	78	109	46	280	420	52
73	2 7/8	73	305	111	81	113	48	292	438	57.5
76	3	76	318	116	85	118	50	304	456	65
78	3 1/16	78	326	119	87	121	51	312	468	70
81	3 1/8	82	343	125	90	127	54	328	492	82
84	3 3/8	84	351	128	94	130	55	336	504	88
87	3 7/16	87	364	132	97	135	57	348	522	95
90	3 1/2	90	376	137	101	140	59	360	540	104
92	3 5/8	92	385	140	103	143	61	368	552	112
95	3 3/4	95	397	144	106	147	63	380	570	123
97	3 13/16	97	405	147	108	150	64	388	582	131
100	3 15/16	100	418	152	112	155	66	400	600	144
102	4	102	426	155	114	158	67	408	612	151

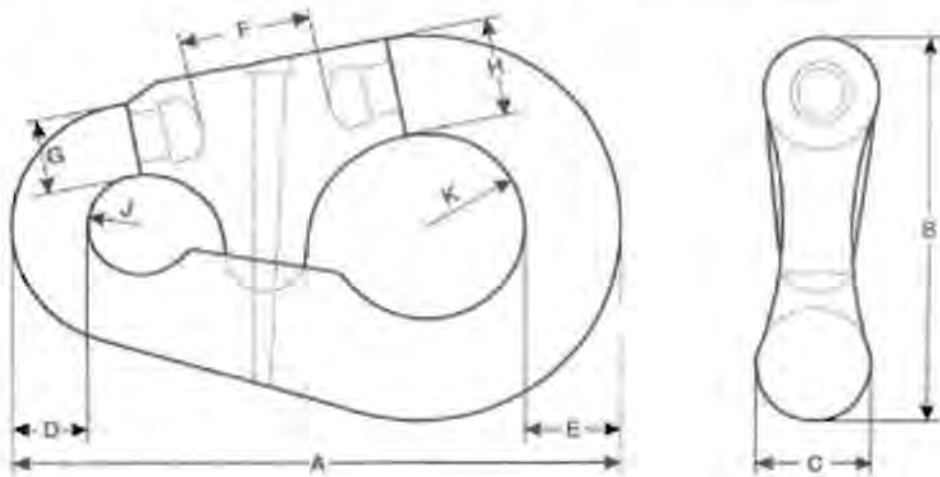


DETACHABLE ANCHOR PEAR-SHAPED LINK

The pear shaped link is used to join the swivel end of the chain cable to the anchor shackle.

Because of its smooth profile, the pear shaped link can advantageously replace the Kenter anchor link (DT 103). Its lightness makes it very easy to handle. The position of the closing system and its simplicity makes it easier to use where larger chain diameters are concerned.

Please note that dimensions and weights are nominal and small variations are reserved.

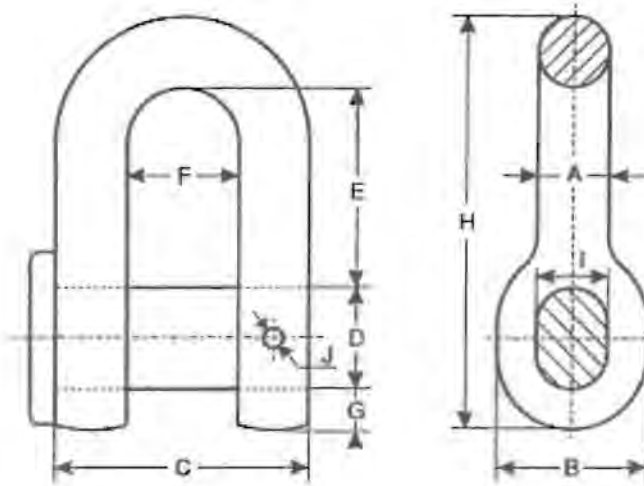


DN	NS	A	B	C	D	E	F	G	H	J	K	Kg
mm	inches	mm	mm	mm	mm	mm	mm	mm	mm	mm	mm	
19-24	$\frac{3}{4}$ $\frac{15}{16}$	194	132	38	24	32	57	24	35	17	31	3
25-30	1 1 $\frac{3}{16}$	238	167	46	30	38	66	33	45	19	35	6.5
32-40	1 $\frac{1}{4}$ 1 $\frac{1}{16}$	298	206	59	40	48	83	40 x 45	57	26	43	13
42-51	1 $\frac{5}{8}$ 2	378	260	76	51	64	100	59 x 61	74	32	53	27
52-60	2 $\frac{1}{16}$ 2 $\frac{3}{8}$	454	313	92	60	76	121	73 x 62	88	38	65	49
62-79	2 $\frac{7}{16}$ 3 $\frac{1}{8}$	562	376	117	79	95	149	79 x 86	111	48	76	95
81-92	3 $\frac{3}{16}$ 3 $\frac{5}{16}$	654	419	133	92	124	149	102 x 111	130 x 134	54	80	150
94-95	3 $\frac{1}{16}$ 3 $\frac{3}{4}$	692	435	146	98	130	159	124 x 137	142	57	83	236
97-102	3 $\frac{1}{16}$ 4	889	572	191	121	165	191	130	181	73	108	386
103-111	4 $\frac{1}{16}$ 4 $\frac{3}{8}$	940	610	203	127	175	203	146 x 156	194	76	111	420
110-114	4 $\frac{5}{16}$ 4 $\frac{1}{2}$	991	648	216	133	184	216	165 x 175	204	105	115	460



ANCHOR SHACKLE

Please note that dimensions and weights are nominal and small variations are reserved.



DN	NS	A	B	C	D	E	F	G	H	I	J	Kg
mm	inches	mm	mm	mm	mm	mm	mm	mm	mm	mm	mm	
14	3/16	20	42	70	27	55	30	13	115	18	6	1.1
16	5/16	22	48	80	29	66	36	14	131	21	6	1.3
17.5	11/16	25	53	88	32	71	38	16	144	23	6	1.4
19	3/4	29	62	103	39	82	45	18	168	27	6	3
20.5	13/16	29	62	103	39	82	45	18	168	27	6	3
22	7/8	31	66	110	42	87	48	20	180	29	6	4
24	15/16	34	72	120	46	96	53	22	197	31	8	5
26	1	38	81	135	51	108	59	24	221	35	8	7
28	1 1/8	38	81	135	51	108	59	24	221	35	8	7
30	1 3/16	43	93	155	59	124	69	28	254	40	10	11
32	1 1/4	43	93	155	59	124	69	28	254	40	10	11
34	1 3/8	49	105	175	67	139	77	32	287	46	12	15
36	1 7/16	49	105	175	67	139	77	32	287	46	12	15
38	1 1/2	55	117	195	74	156	85	35	320	51	14	22
40	1 5/16	55	117	195	74	156	85	35	320	51	14	22
42	1 3/8	55	117	195	74	156	85	35	320	51	14	22
44	1 3/4	62	132	220	84	175	96	40	361	57	16	32
46	1 13/16	66	141	235	89	188	103	42	385	61	16	38
48	1 7/8	66	141	235	89	188	103	42	385	61	16	38
50	1 15/16	71	153	255	97	204	113	46	418	66	16	50

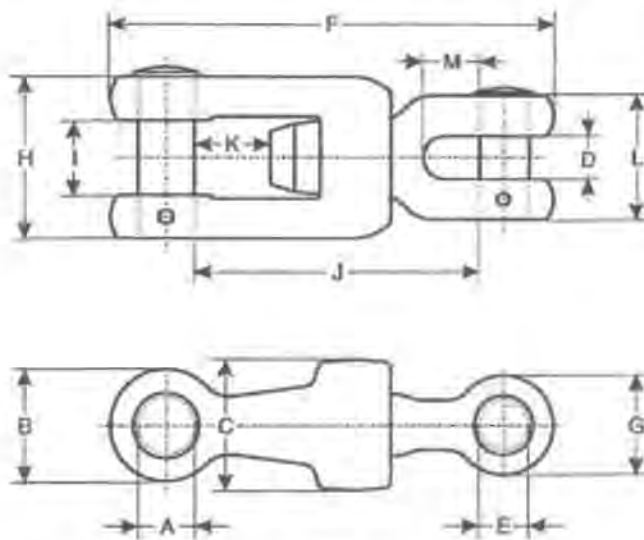


DN	NS	A	B	C	D	E	F	G	H	I	J	Kg
mm	inches	mm	mm	mm	mm	mm	mm	mm	mm	mm	mm	
52	2 1/16	71	153	255	97	204	113	46	418	66	16	50
54	2 1/8	71	153	255	97	204	113	46	418	66	16	50
56	2 3/16	77	165	291	105	219	127	50	451	72	20	58
58	2 1/4	83	177	302	112	236	136	53	484	77	20	69
60	2 3/8	83	177	302	112	236	136	53	484	77	20	69
62	2 7/16	90	192	320	122	255	140	58	525	83	20	84
64	2 1/2	90	192	320	122	255	140	58	525	83	20	84
66	2 9/16	95	204	340	129	273	150	61	558	88	20	103
68	2 11/16	95	204	340	129	273	150	61	558	88	20	103
70	2 3/4	98	210	350	133	280	154	63	574	91	25	114
73	2 7/8	102	219	365	139	292	161	66	599	95	25	132
76	3	108	231	385	146	308	169	69	631	100	25	150
78	3 1/16	108	231	385	146	308	169	69	631	100	25	150
81	3 3/16	115	246	410	156	327	180	74	672	107	25	181
84	3 5/16	115	246	410	156	327	180	74	672	107	25	181
87	3 7/16	122	261	435	165	348	191	78	713	113	30	224
90	3 1/2	130	279	465	177	372	205	84	763	121	30	248
92	3 5/8	130	279	465	177	372	205	84	763	121	30	248
95	3 3/4	133	285	475	181	380	209	86	779	124	30	300
97	3 13/16	137	294	490	186	393	216	88	804	127	30	318
100	3 15/16	141	303	505	192	404	223	91	828	131	34	348
102	4	141	303	505	192	404	223	91	828	131	34	348

JAW AND JAW SWIVEL SHACKLE

This swivel shackle, fitted directly between the chain cable and the anchor, avoids the use of an anchor shackle and a Kenter link if the chain is fitted with an end link.

Please note that dimensions and weights are nominal and small variations are reserved. E & OE



DN	NS	A	B	C	D	E	F	G	H	I	J	K	L	M	Kg
mm	inches	mm	mm	mm	mm	mm	mm	mm	mm	mm	mm	mm	mm	mm	
14	5/16	27	54	56	22	21	227	45	80	35	147	50	64	29	7
16	5/8	27	54	56	22	21	227	45	80	35	147	50	64	29	7
17.5	11/16	30	60	61	25	23	248	49	88	39	161	55	70	32	8
19	3/4	32	65	67	27	25	269	53	95	42	175	60	76	34	9
20.5	13/16	35	70	72	29	27	290	57	103	45	189	65	82	37	9
22	7/8	37	75	77	31	29	312	62	110	48	202	69	88	40	10
24	15/16	41	82	84	34	31	340	67	120	53	221	76	96	43	14
26	1	44	88	91	36	34	368	73	130	57	239	82	104	47	18
28	1 1/8	48	95	98	39	36	396	78	140	62	258	88	112	50	23
30	1 1/4	51	102	105	42	39	425	84	150	66	276	95	120	54	28
32	1 1/4	54	109	112	45	42	453	90	160	70	294	101	128	58	33
34	1 3/8	58	116	119	48	44	481	95	170	75	313	107	136	61	38
36	1 7/16	61	122	126	50	47	510	101	180	79	331	113	144	65	46
38	1 1/2	65	129	133	53	49	538	106	190	84	350	120	152	68	53
40	1 5/8	68	136	140	56	52	566	112	200	88	368	126	160	72	63
42	1 3/4	71	143	147	59	55	595	118	210	92	386	132	168	76	69



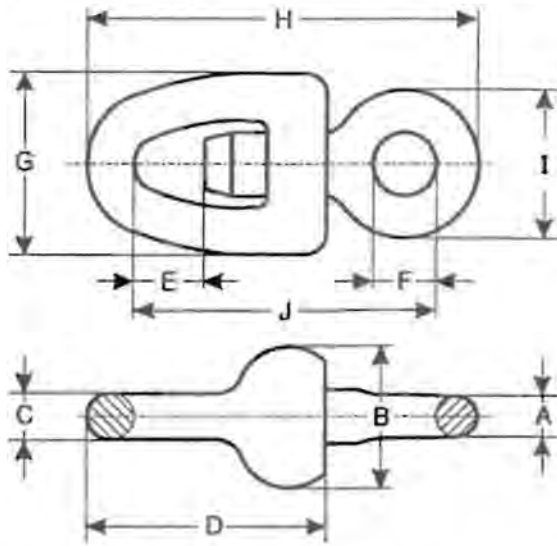
DN	NS	A	B	C	D	E	F	G	H	I	J	K	L	M	
mm	inches	mm	mm	mm	mm	mm	mm	mm	mm	mm	mm	mm	mm	mm	Kg
44	1 3/4	75	150	154	62	57	623	123	220	97	405	139	176	79	75
46	1 13/16	78	156	161	64	60	651	129	230	101	423	145	184	83	82
48	1 7/8	82	163	168	67	62	680	134	240	106	442	151	192	86	90
50	2	85	170	175	70	65	708	140	250	110	460	158	200	90	97
52	2 1/16	88	177	182	73	68	736	146	260	114	478	164	208	94	108
54	2 1/8	92	184	189	76	70	765	151	270	119	497	170	216	97	120
56	2 3/16	95	190	196	78	73	793	157	280	123	515	176	224	101	144
58	2 1/4	99	197	203	81	75	821	162	290	128	534	183	232	104	168
60	2 3/8	102	204	210	84	78	850	168	300	132	552	189	240	108	200
62	2 7/16	105	211	217	87	81	878	174	310	136	570	195	248	112	228
64	2 1/2	109	218	224	90	83	906	179	320	141	589	202	256	115	258
66	2 5/8	112	224	231	92	86	935	185	330	145	607	208	264	119	282
68	2 11/16	116	231	238	95	88	963	190	340	150	626	214	272	122	303
70	2 3/4	119	238	245	98	91	991	196	350	154	644	221	280	126	330
73	2 7/8	124	248	256	102	95	1034	204	365	161	672	230	292	131	361
76	3	129	258	266	106	99	1076	213	380	167	699	239	304	137	394
78	3 1/16	133	265	273	109	101	1104	218	390	172	718	246	312	140	413
81	3 3/16	138	275	284	113	105	1147	227	405	178	745	255	324	146	453
84	3 1/2	143	286	294	118	109	1189	235	420	185	773	265	336	151	493
87	3 5/8	148	296	305	122	113	1232	244	435	191	800	274	348	157	540
90	3 3/4	153	306	315	126	117	1274	252	450	198	828	284	360	162	600
92	3 7/8	156	313	322	129	120	1303	258	460	202	846	290	368	166	640
95	3 15/16	162	323	333	133	124	1345	266	475	209	874	299	380	171	700
97	3 1/2	165	330	340	136	126	1374	272	485	213	892	306	388	175	740
100	3 13/16	170	340	350	140	130	1416	280	500	220	920	315	400	180	878
102	4	173	347	357	143	133	1444	286	510	224	938	321	408	184	970



SWIVEL

The Swivel is usually fitted between the anchor and the chain cable to prevent the chain cable from twisting and kinking. An anchor shackle with a joining shackle (DT 105) or a Kenter link are needed to complete the assembly. Material of construction is heavy grade (U3) duty forged steel.

Please note that dimensions and weights are nominal and small variations are reserved. E & OE



DN	NS	A	B	C	D	E	F	G	H	I	J	Kg
mm	inches	mm	mm	mm	mm	mm	mm	mm	mm	mm	mm	
14	5/16	15	48	17	88	23	22	66	136	50	104	1.7
16	5/8	18	54	19	101	26	25	75	155	58	118	1.9
17.5	11/16	19	60	21	110	29	27	82	170	63	130	2.1
19	3/4	23	70	25	129	34	32	96	199	74	152	3
20.5	13/16	23	70	25	129	34	32	96	199	74	152	3
22	7/8	24	75	26	139	36	34	103	213	79	163	3.5
24	15/16	26	82	29	151	40	37	113	233	86	178	5
26	1	29	88	31	164	43	40	122	252	94	192	6
28	1 1/8	31	95	34	176	46	43	132	272	101	207	7.5
30	1 1/4	33	102	36	189	50	46	141	291	108	222	9
32	1 1/4	35	109	38	202	53	49	150	310	115	237	11
34	1 5/8	37	116	41	214	56	52	160	330	122	252	13.5
36	1 7/8	40	122	43	227	59	55	169	349	130	266	16
38	1 1/2	42	129	46	239	63	59	179	369	137	281	19
40	1 3/4	44	136	48	252	66	62	188	388	144	296	22



DN	NS	A	B	C	D	E	F	G	H	I	J	
mm	inches	mm	mm	mm	mm	mm	mm	mm	mm	mm	mm	Kg
42	1 3/8	46	143	50	265	69	65	197	407	151	311	25.5
44	1 3/8	50	153	54	284	74	69	212	437	162	333	31.5
46	1 13/16	50	153	54	284	74	69	212	437	162	333	31.5
48	1 7/8	53	163	58	302	79	74	226	466	173	355	38
50	1 15/16	56	173	61	321	84	79	240	495	184	377	46
52	2 1/16	58	180	64	334	87	82	249	514	191	392	52
54	2 1/8	58	180	64	334	87	82	249	514	191	392	52
56	2 3/16	62	190	67	353	92	86	263	543	202	414	60.5
58	2 1/4	64	197	70	365	96	89	273	563	209	429	67.5
60	2 3/8	68	211	74	391	102	95	291	601	223	459	83
62	2 7/16	68	211	74	391	102	95	291	601	223	459	83
64	2 1/2	70	218	77	403	106	99	301	621	230	474	90
66	2 5/16	73	224	79	416	109	102	310	640	238	488	99
68	2 11/16	75	231	82	428	112	105	320	660	245	503	108
70	2 3/4	75	231	82	428	112	105	320	660	245	503	108
73	2 7/8	80	248	88	460	120	112	343	708	263	540	134
76	3	84	258	91	479	125	117	357	737	274	562	152
78	3 1/16	86	265	94	491	129	120	367	757	281	577	164
81	3 3/16	90	279	98	517	135	126	385	795	295	607	185
84	3 1/5	96	296	104	548	144	134	409	844	313	644	200
87	3 7/16	96	296	104	548	144	134	409	844	313	644	200
90	3 1/2	103	320	113	592	155	145	442	912	338	696	266
92	3 3/8	103	320	113	592	155	145	442	912	338	696	266
95	3 3/4	108	333	118	617	162	151	461	951	353	725	300
97	3 13/16	108	333	118	617	162	151	461	951	353	725	300
100	3 15/16	112	347	122	643	168	157	479	989	367	755	342
102	4	112	347	122	643	168	157	479	989	367	755	342

