

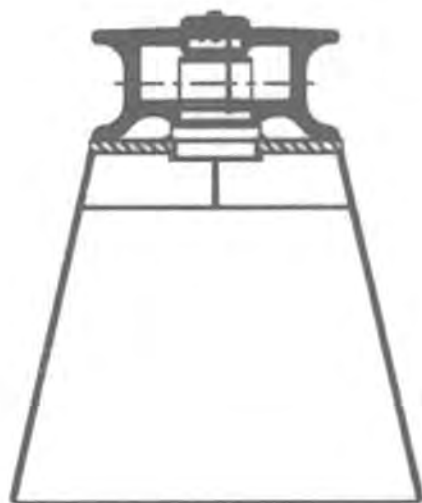


## PEDESTAL ROLLERS

Please note that dimensions and weights are nominal and small variations are reserved. E & OE

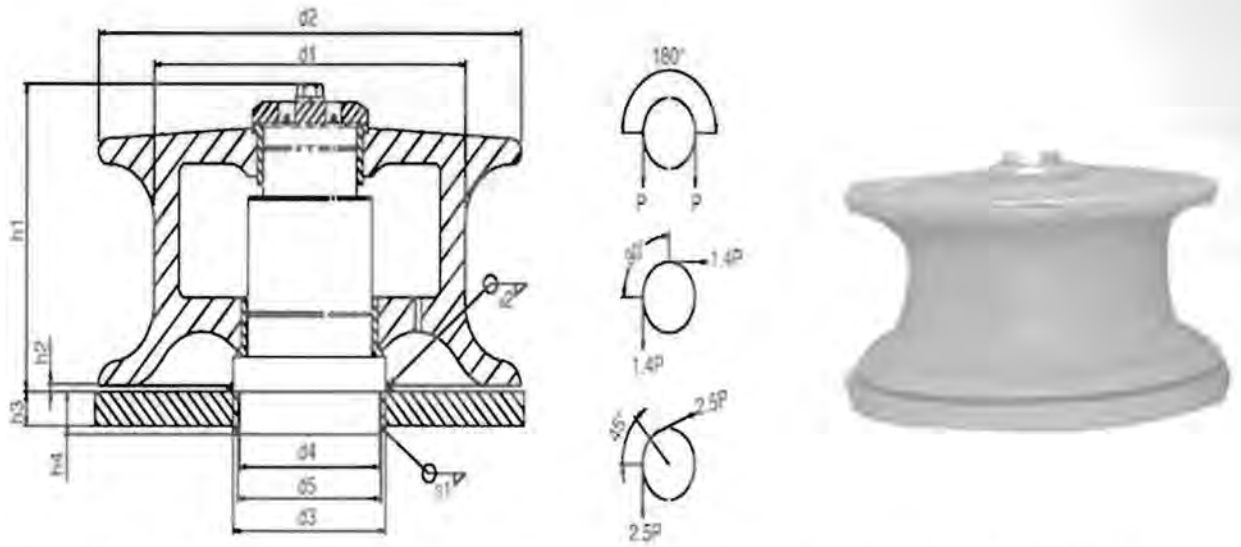
### OTHER DECK PRODUCTS :

- Bullwark Mounted Circular Bows
- Bullwark Mounted in Flat Plate
- Bullwark Mounted Panama Bows
- Chain Stopper & Plinth
- Cruciform Bollards
- Deck Mounted Panama Bows
- Mooring Pipes
- Mooring Rollers
- Multi Angle Fairleads
- Recessed Shell Bits
- Ships Bollards BSMA 12
- Ships Bollards NS 2584
- Ships Bollards VIS 1
- Smit Brackets



## MOORING ROLLERS

Please note that dimensions and weights are nominal and small variations are reserved. E & OE



Size	d1	d2	d3	d4	d5	h1	h2	h3	h4	s1	s2	P (tonnes)
150	150	240	105	85	90	158	5	25	40	8	6	15.8
200	200	310	130	110	115	190	5	25	40	8	6	19.8
250	250	380	150	130	135	245	6	25	40	8	8	28.5
300	300	440	170	150	155	270	7	35	50	8	8	33.6
350	350	500	190	170	175	294	7	35	50	10	10	44.8
400	400	560	200	180	185	332	7	35	50	12	12	58
450	450	630	225	205	210	341	7	35	50	12	12	64.2
500	500	680	245	225	230	358	7	40	50	15	15	84.3

- 'P' is the breaking load in tonnes on the line which is to be used with the roller fairlead
- Please state if the horn is required

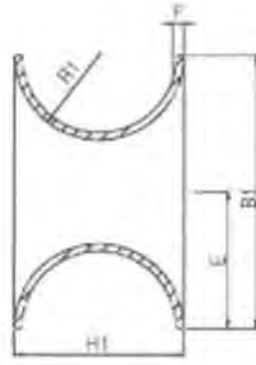
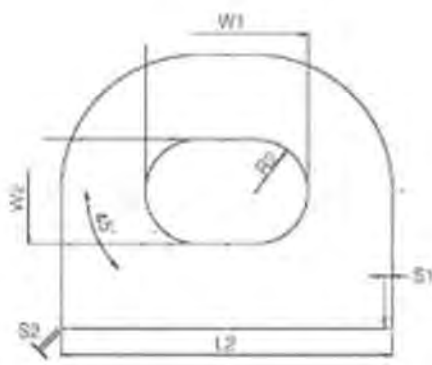
Unit 29, Fair Open  
 Cowbridge, UK  
 CF71 7UA  
 Tel: + 44 (0) 1446 781092  
 Fax: + 44 (0) 1446 781941  
 Mobile: 07974 208373  
 Email: joe@saxtonmarine.co.uk



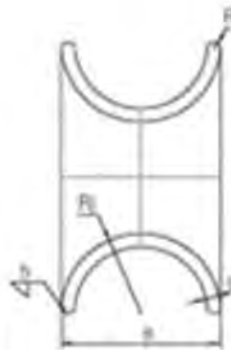
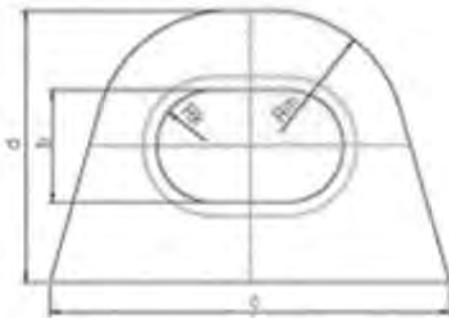
SAXTON  
 MARINE  
 SUPPLIES

## DECK MOUNTED PANAMA BOWS

Please note that dimensions and weights are nominal and small variations are reserved. E & OE



Type	Kn	B1	E	F	H1	L2	R1	R2	S1	S2	W1	W2	Weight (Kgs)
C5	50	480	240	24	300	550	150	90	16	8	250	180	85
C8	80	585	292.5	27	260	680	180	112.5	18	9	320	225	136
C12	125	710	355	30	440	840	220	135	20	10	400	270	211
C20	200	840	420	33	520	1020	260	160	22	11	500	320	325
C32	320	1100	550	35	700	1300	350	200	35	20	600	400	840

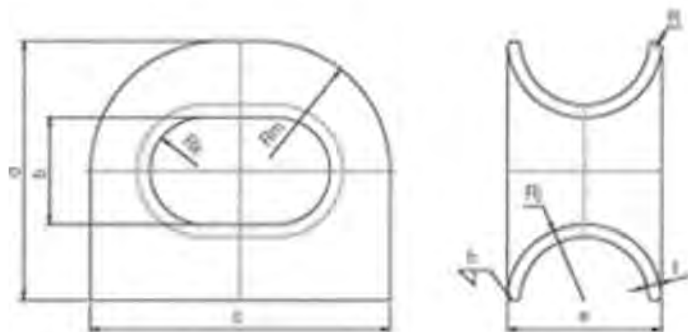


Standard	Size	a	b	c	d	e	Rj	Rk	Rm	R	t	h	Weight (Kgs)
DVS 47005 Danish Std	400 x 250	400	250	900	610	360	180	125	305	15	30	10	~

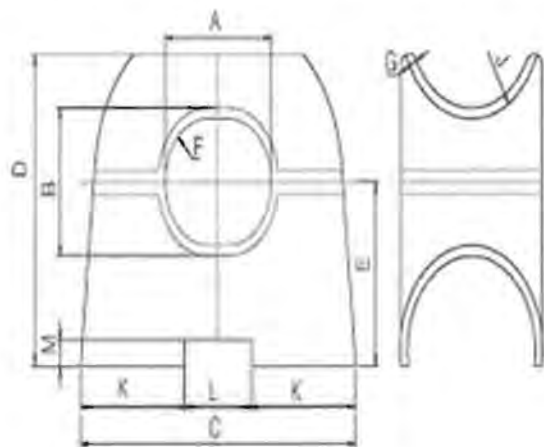
Unit 29, Tair Oren  
 Cowbridge, UK  
 CF71 7UA  
 Tel: + 44 (0) 1446 781092  
 Fax: + 44 (0) 1446 781941  
 Mobile: 07974 208373  
 Email: joe@saxtonmarine.co.uk



SAXTON  
 MARINE  
 SUPPLIES



Std	Size	a	b	c	d	e	Rj	Rk	Rm	R	t	h	Weight (Kgs)
Vis 3 Swedish Std	300 x 200	300	200	530	430	230	115	100	215	12.5	25	8	85
Vis 3 Swedish Std	400 x 250	400	250	760	610	360	180	125	305	12.5	25	8	185
DVS 47005 Danish Std	300 x 250	330	250	660	610	360	180	125	305	10	20	8	117
DVS 47005 Danish Std	400 x 250	400	250	760	610	360	180	125	305	12.5	28	8	185
NS 2590 Norsk Std	300 x 250	300	250	660	610	360	180	125	305	10	20	~	117

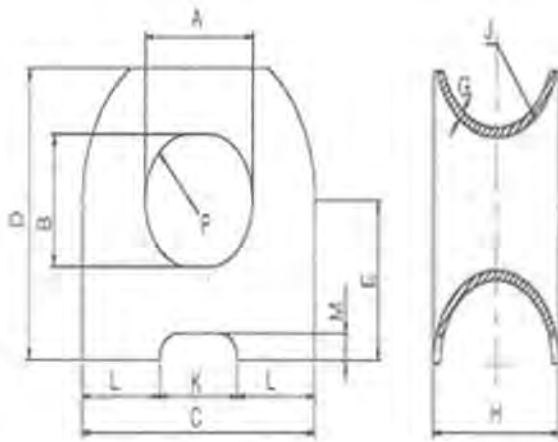


Std	Size	A	B	C	D	E	F	G	H	J	K	L	M	Weight (Kgs)
Amazon	315 x 250	315	250	815	620	365	125	22	380	190	307.5	200	50	~
Nile	425 x 280	425	280	1075	785	450	140	26	500	250	412.5	250	60	378
Hudson	600 x 450	600	450	1360	1000	575	225	30	560	280	530	300	70	628

Unit 29, Tair Oren  
 Cowbridge, UK  
 CF71 7UA  
 Tel: + 44 (0) 1446 781092  
 Fax: + 44 (0) 1446 781941  
 Mobile: 07974 208373  
 Email: joe@saxtonmarine.co.uk



SAXTON  
 MARINE  
 SUPPLIES



Std	Size	A	B	C	D	E	F	G	H	J	K	L	M	Weight (Kgs)
Tyne	305 x 254	305	254	660	559	305	127	19	356	178	222	216	51	133
Clyde	305 x 254	305	254	660	673	420	127	19	356	178	222	216	51	142
Team	356 x 254	356	254	712	559	305	127	19	356	178	248	216	51	136
Spey	356 x 254	356	254	712	673	420	127	19	356	178	248	216	51	140
Ouse	400 x 270	400	270	712	559	305	135	19	356	229	248	216	51	137
Team Plus	406 x 254	406	254	762	559	305	127	19	356	178	248	267	51	155
Tamar Plus	508 x 406	508	406	864	711	381	203	19	356	178	286	292	51	229
Tamar	610 x 305	610	305	965	610	330	152	19	356	178	324	319	51	200

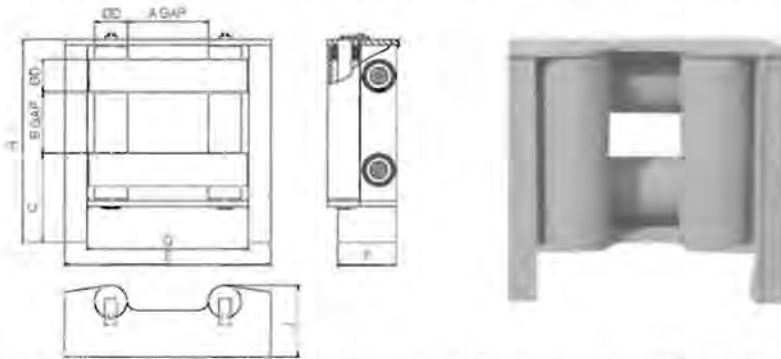
Unit 29, Tair Oren  
 Cowbridge, UK  
 CF71 7UA  
 Tel: + 44 (0) 1446 781092  
 Fax: + 44 (0) 1446 781941  
 Mobile: 07974 208373  
 Email: joe@saxtonmarine.co.uk



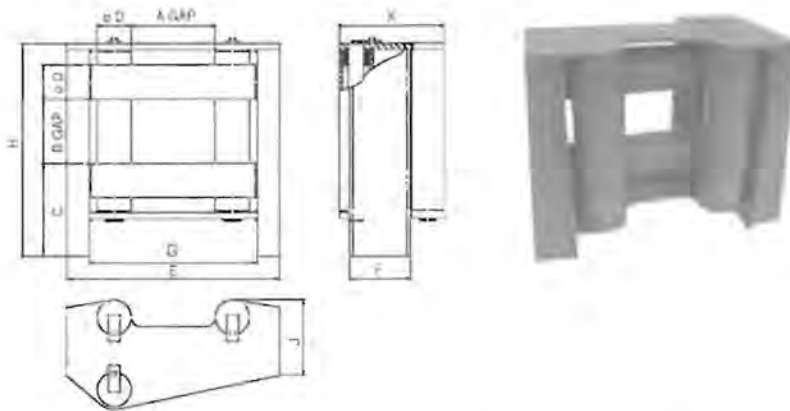
SAXTON  
 MARINE  
 SUPPLIES

## MULTI-ANGLE FAIRLEADS

Please note that dimensions and weights are nominal and small variations are reserved. E & OE



Type	Part Number	SWL (tonnes)	Diameter Wire Rope	A	B	C	D	E	F	G	H	J
114	A2-605	5	-10	254	152	309	114	686	203	534	645	248
140	A2-608	8	-16	254	152	335	140	756	254	578	697	300
168	A2-610	12	-20	254	152	363	168	812	305	634	753	356
194	A1-612	20	-28	324	200	389	194	966	381	762	853	408
273	A1-614	24	-32	324	200	543	273	1124	432	920	1111	566

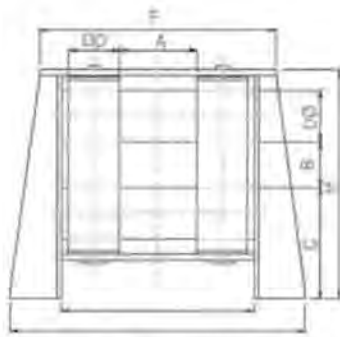


Type	Part Number	SWL (tonnes)	Diameter Wire Rope	A	B	C	D	E	F	G	H	J	K
114	A2-606	5	-10	254	152	309	114	686	203	534	645	248	362
140	A2-609	8	-16	254	152	335	140	756	254	578	697	300	440
168	A2-611	12	-20	254	152	363	168	812	305	834	753	356	524
194	A1-613	20	-28	324	200	389	194	966	381	762	853	408	602
273	A1-615	24	-32	324	200	543	273	1124	432	920	1111	566	838

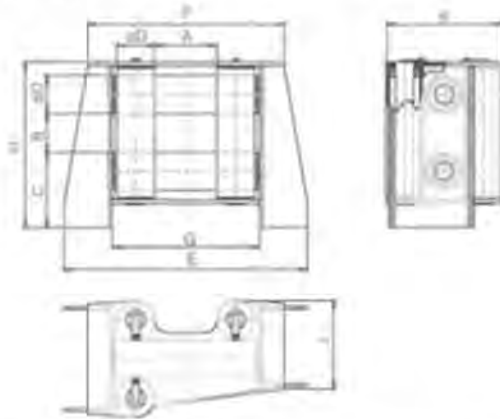
Unit 29, Tair Oren  
 Cowbridge, UK  
 CF71 7UA  
 Tel: + 44 (0) 1446 781092  
 Fax: + 44 (0) 1446 781941  
 Mobile: 07974 208373  
 Email: joe@saxtonmarine.co.uk



SAXTON  
 MARINE  
 SUPPLIES



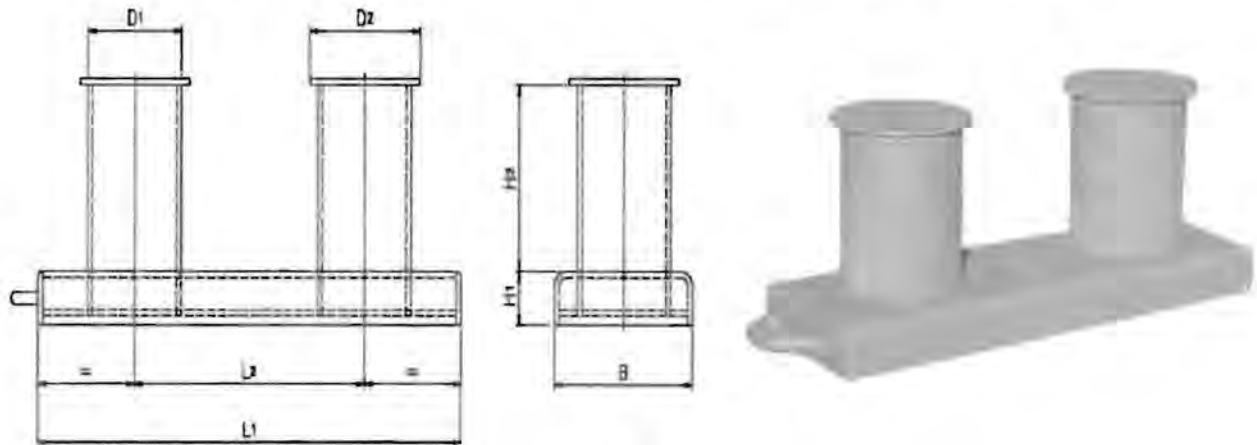
Type	Part Number	SWL (tonnes)	Diameter Wire Rope	A	B	C	D	E	F	G	H	J
114	A2-562	8	10 - 15	254	152	309	114	800	666	534	645	280
140	A2-525x	12	16 - 20	254	152	335	140	898	724	578	697	356
168	A2-551x	16	21 - 26	254	152	363	168	970	778	634	753	407
194	A1-556	25	27 - 34	324	200	389	194	1258	1016	762	853	457
273	A1-511	38	35 - 40	324	200	543	273	1492	1168	920	1111	682
324	A1-563	45	41 - 44	324	200	624	324	1652	1290	1022	1223	698
356	A1-564	~	~	508	254	706	356	1950	1550	1270	1441	764
406	A1-565	~	~	508	254	756	406	2390	1300	1420	1541	914



Type	Part Number	SWL (tonnes)	Diameter Wire Rope	A	B	C	D	E	F	G	H	J	K
114	A2-567	8	10 - 15	254	152	309	114	800	666	534	645	280	362
140	A2-527	12	16 - 20	254	152	335	140	898	724	578	697	356	440
168	A2-553	16	21 - 26	254	152	363	168	970	778	634	753	400	524
194	A1-558	25	27 - 34	324	200	389	194	1258	1016	762	853	457	602
273	A1-513	38	35 - 40	324	200	543	273	1492	1168	920	1111	682	838
324	A1-570	45	41 - 44	324	200	624	324	1652	1290	1022	1223	698	992
356	A1-571	~	~	508	254	706	356	1950	1550	1270	1441	764	1088
406	A1-572	~	~	508	254	756	406	2390	1800	1420	1541	914	1270

## SHIPS BOLLARDS BSMA 12

Please note that dimensions and weights are nominal and small variations are reserved. E & OE

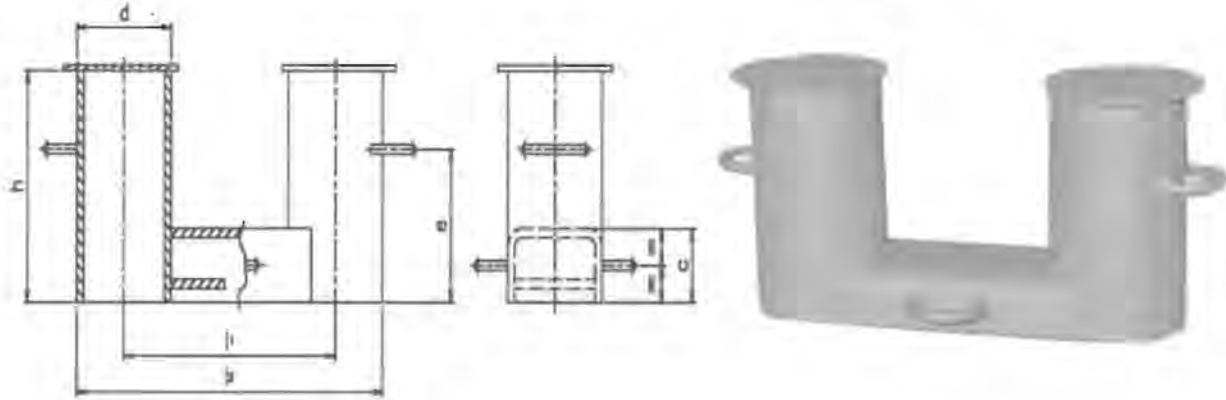


Type	f		Tube		Plate		i1		i2		b		Weight kg
	M	T	d1	s	d1	s	h1	h2	h1	h2	b	d2	
125	4.06	12	140	10	125	10	560	320	200	75	200	150	40
160	5.85	12	168	10	160	10	720	400	250	90	250	200	66
200	7.96	17	219	10	200	10	900	500	300	100	300	250	97
250	13.2	30	273	10	250	10	1130	630	380	125	380	300	145
315	19.7	50	324	12.5	312	12.5	1430	800	480	150	480	400	309
400	33.5	100	406	20	400	20	1800	1000	600	175	600	480	735
500	55.4	130	508	20	500	20	2250	1250	750	200	750	600	1148
630	82.8	160	610	20	630	20	2830	1570	940	225	940	730	1673

- Maximum permissible load in bollard **f** tonnes
- when mooring **M** tonnes
- when towing **T** tonnes

## SHIPS BOLLARDS NS2584

Please note that dimensions and weights are nominal and small variations are reserved. E & OE

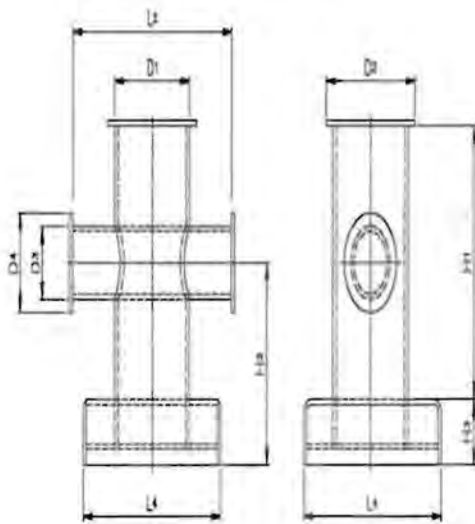


Type	f		d	c	e	h	i1	i2	Weight kg
	M	T							
125	4.5	13.2	140	80	165	250	315	455	26
160	5.6	15.8	168	90	195	300	400	568	37
200	10.2	29	219	100	250	400	500	719	75
250	13.2	37.2	273	125	315	500	630	903	124
315	20.9	55	324	150	375	600	800	1124	230
400	28.5	75.4	406	175	435	700	1000	1406	356
500	52	123.4	508	200	515	830	1250	1758	723
630	62.7	158.1	610	225	615	1000	1570	2180	1084
710	83.1	219.3	711	250	675	1100	1750	2461	1532

- Maximum permissible load in bollard **f** tonnes
- when mooring **M** tonnes
- when towing **T** tonnes
- The bollard can be loaded with two mooring ropes each with a breaking strength not exceeding the values in the table
- The bollard can be loaded with one towing rope laid in a single sling over one of the bits and with a breaking strength not exceeding the values in the table

## CRUCIFORM BOLLARDS

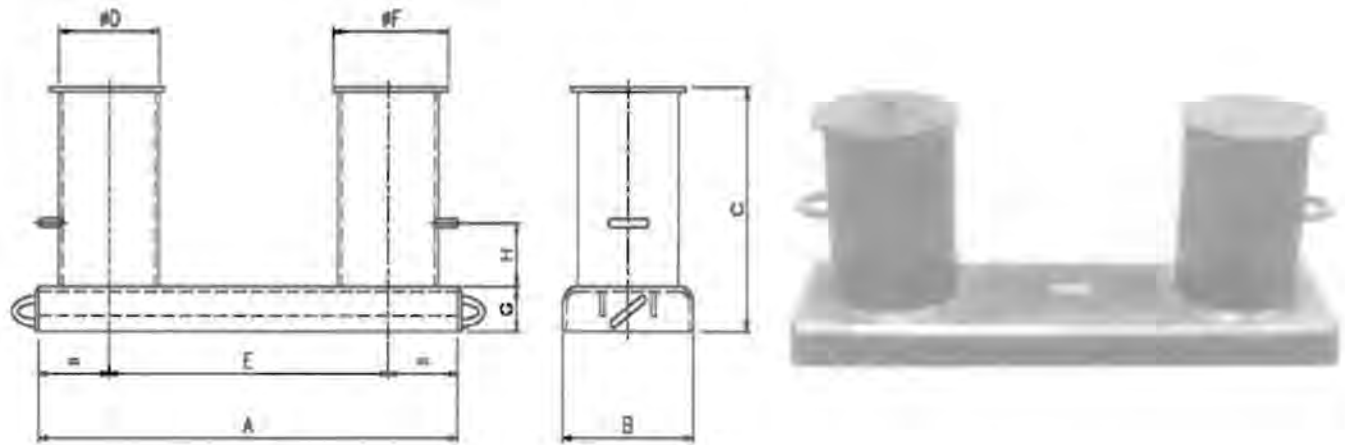
Please note that dimensions and weights are nominal and small variations are reserved. E & OE



Nominal Size of Bollard	SWL Tonne	Bitt Diameter D1 mm	D2 mm	D3 mm	D4 mm	H1 mm	H2 mm	H3 mm	L4 mm	L5 mm
250	25	273	325	140	190	520	385	125	500	580
315	40	324	400	168	200	660	480	150	630	725

## SHIPS BOLLARDS VIS I

Please note that dimensions and weights are nominal and small variations are reserved. E & OE

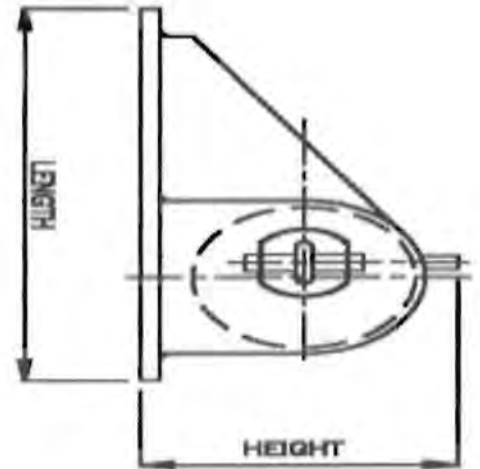
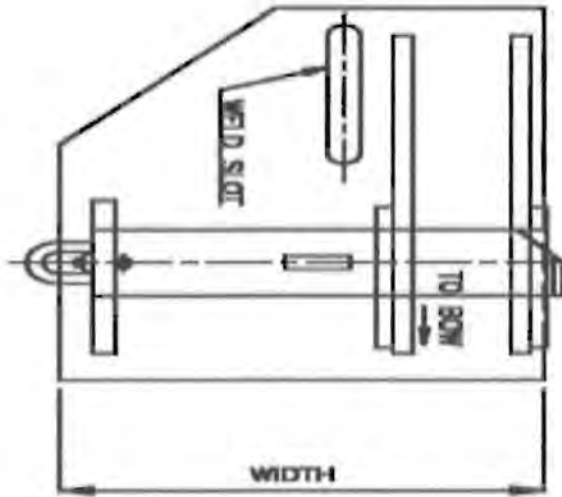


Type	Part Number	f	Weight (kgs)	A	B	C	D	E	F	G	H
100	A3.072	5.0	35	600	210	310	114	350	145	100	65
150	A3.073	10.0	59	800	260	385	168	500	205	100	90
200	A3.074	15.5	98	950	330	460	219	600	255	100	115
230	A3.075	17.0	113	1030	350	470	244	680	300	100	120
250	A3.076	20.0	135	1150	370	520	273	750	320	110	130
300	A3.077	28.0	210	1350	420	597	324	900	370	110	155
350	A3.078	32.0	328	1500	470	657	356	1000	405	110	175
400	A3.080	40.0	418	1650	540	740	406	1100	450	125	200
450	A3.081	54.0	499	1800	600	790	457	1200	510	125	215
500	A3.082	60.0	586	1950	650	840	508	1300	560	125	230
550	A3.083	68.0	684	2100	700	890	559	1400	610	125	250
600	A3.084	80.0	900	2270	770	945	612	1500	660	125	270

- Suitable for wire or rope with a breaking strain of 'f' tonnes when cross belayed on the bollard
- Type 100 and 150 have centre rib only

## SMIT BRACKETS

Please note that dimensions and weights are nominal and small variations are reserved. E & OE



Type	Chain Size	Overall	Width	Height	SWL
OCIMF Smit Brackets	76	900	800	485	~
Small Smit Brackets	54	625	600	365	~