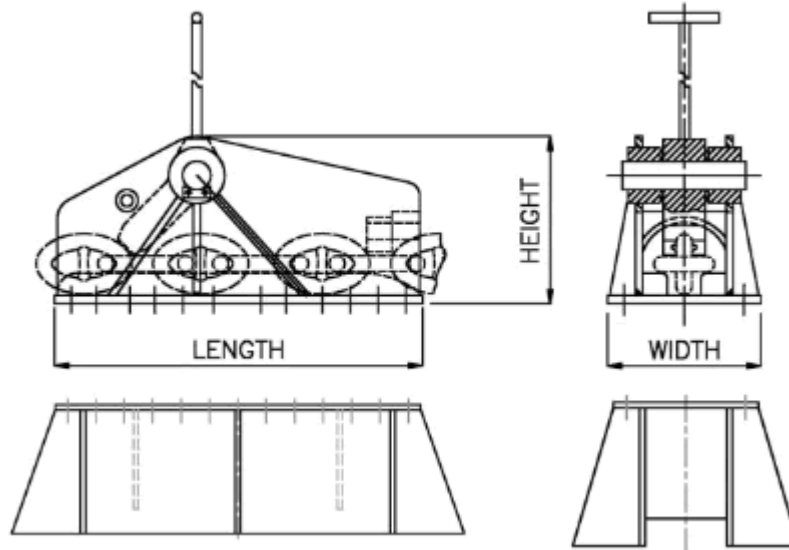


## Property of Saxton Marine

### Chain Stopper and Plinth

Please note that dimensions and weights are nominal and small variations are reserved. E & OE



The chain stopper plinth is essential for deck safety

These anchor chain stoppers are all high quality and can be controlled remotely especially useful for small crew work boats and tugs.

Anchor chain stoppers are ratched for extra safety and can be bolted to the deck.

Chain Size	SWL	Overall Length		Width		Height (excluding handle)	
		Without Plinth	With Plinth	Without Plinth	With Plinth	Without Plinth	With Plinth
54	100	1200	1630	530	880	590	1225
76	200	1800	2230	640	1000	850	1485

Saxton  
MARINE