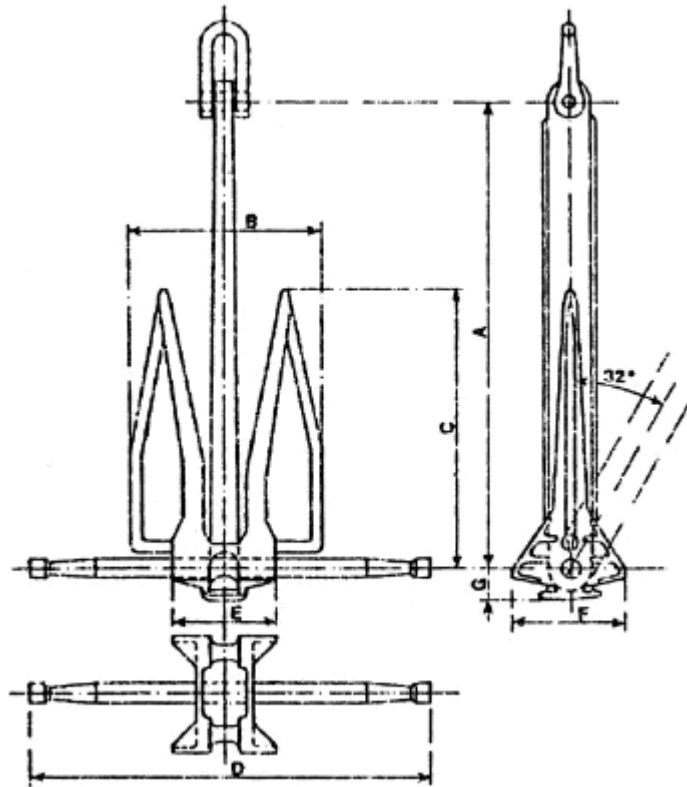


Property of Saxton Marine

Danforth HHP Anchor

Please note that dimensions and weights are nominal and small variations are reserved.



The Danforth HHP anchor is a typical offshore anchor and is a normally used, for lighter craft usually in muddy or silty conditions.

The Danforth HHP anchor can be supplied new or secondhand and has a weight range of between 50kg to 20000kg.

Danforth Stockless anchors can be supplied with certification from any of the major classification societies

Weight of Anchor		<i>Dimensions in mm</i>						
Kgs	Lbs	A	B	C	D	E	F	G
225	500	1600	665	975	1340	310	325	85
340	750	1720	720	1000	1480	368	370	95
455	1000	1830	760	1100	1580	395	410	110
680	1500	1955	815	1180	1690	425	475	135

Property of Saxton Marine

910	2000	2100	900	1275	1820	490	525	140
1135	2500	2260	930	1350	2140	510	560	145
1360	3000	2390	990	1440	2260	540	595	150
1820	4000	2640	1050	1590	2550	585	660	170
2270	5000	2780	1170	1650	2700	600	710	175
2730	6000	2960	1200	1780	2810	640	750	205
3180	7000	3120	1280	1880	2960	675	790	215
3635	8000	3260	1320	1960	3090	700	825	225
4080	9000	3380	1370	2040	3210	730	830	235
4540	10000	3510	1420	2100	3330	755	890	240
5445	12000	3730	1510	2240	3540	805	945	255
6350	14000	3920	1590	2350	3720	845	995	270
7260	16000	4100	1650	2470	4000	885	1040	280
8165	18000	4270	1730	2560	4080	920	1080	295
9075	20000	4370	1770	2620	4150	945	1110	300
11345	25000	4710	1910	2820	4470	1020	1195	325
13610	30000	5000	2025	3000	4750	1080	1270	345

Saxton

MARINE

E: info@saxtonmarine.co.uk

Tel: +44 (0) 1446 781092