

Property of Saxton Marine

Smit Brackets

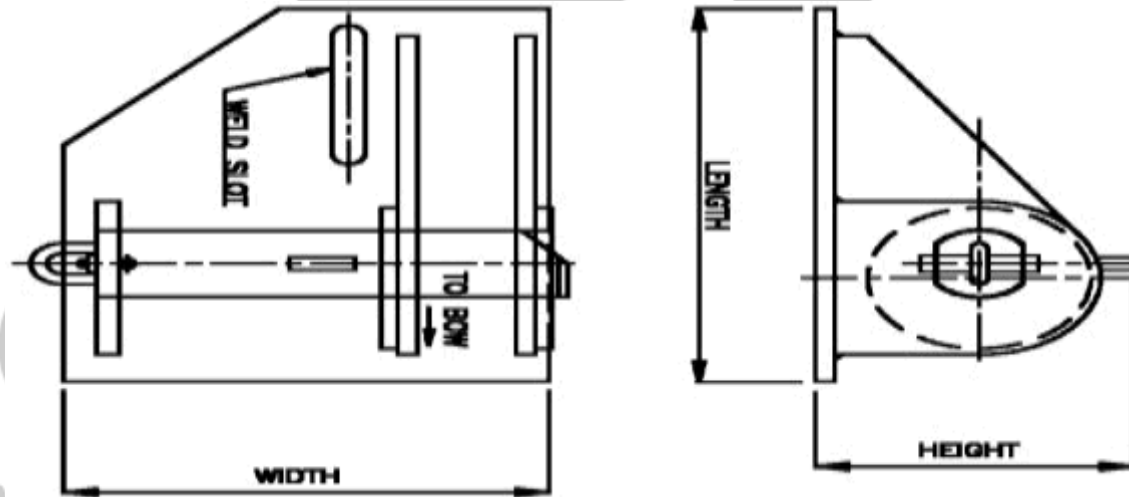
Please note that dimensions and weights are nominal and small variations are reserved. E & OE



Mooring or towing equipment

Can be used on rigs, work platforms for off shore onshore industry.

U2 and U3 high grade steel.



Type	Chain Size	Overall	Width	Height	SWL
	mm	mm	mm	mm	.
OCIMF Smit Brackets	76	900	800	485	~
Small Smit Brackets	54	625	600	365	~

Property of Saxton Marine



Saxton
M A R I N E

E: info@saxtonmarine.co.uk

Tel: +44 (0) 1446 781092