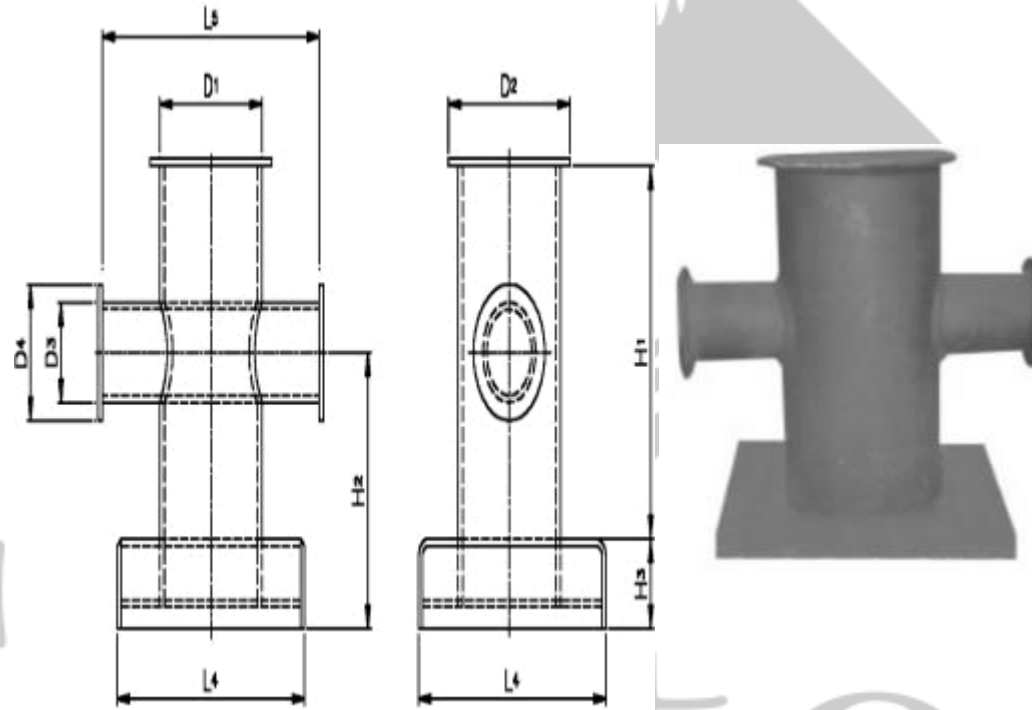


Property of Saxton Marine

Cruciform Bollards

Please note that dimensions and weights are nominal and small variations are reserved. E & OE



Nominal Size of Bollard	SWL Tonne	Bitt Diameter D1 mm	D2 mm	D3 mm	D4 mm	H1 mm	H2 mm	H3 mm	L4 mm	L5 mm
250	25	273	325	140	190	520	385	125	500	580
315	40	324	400	168	200	660	480	150	630	725