



SAXTON

MARINE

WELCOME TO SAXTON MARINE SUPPLIES

With more than 25 years experience in the sale of anchors and chains, shackles and other related marine products. Saxton Marine Supplies are one of the most widely respected Marine Products Suppliers in the UK

We are able to supply at extremely competitive prices:

- Anchors
- Chains
- Deck Equipment
- Moorin Bollards
- Buoys
-
- Cranes
- New and second hand chains ranging from 16mm-152mm dia chain in all relevant grades of steel such as U2 and U3 quality.
- Second hand chain from 26mm - 152mm dia which is suitable for Fish Farms or Ballast Purposes.
- Anchors from 50kgs - 25000kgs from the conventional Stockless Anchor to High Holding Power Anchors.
- Mooring chains for Yachts and Marinas from the smallest to the largest size of chain in either self colour or galvanised quality and all related shackles can be supplied to meet your requirements.
- Offshore moorings chains are also supplied in the appropriate grades of steel from ORQ to K4.

All materials can be supplied with relevant class certification be it LRS/DNV/ABS/BV etc

We are always interested in purchasing your second hand anchors and chain, which have become surplus to your requirements.



CONTACT US

Please feel free to contact us

South Wales

Tel: +44(0) 1446 781092

Mobile: 07974 208373

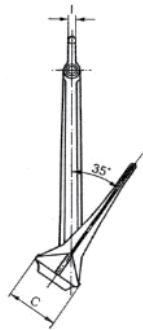
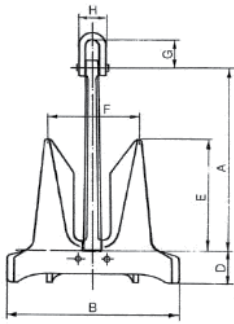
Email:

info@saxtonmarine.co.uk



AC-14 Type High Holding Power Anchor

Please note that dimensions and weights are nominal and small variations are reserved.



OTHER ANCHOR PRODUCT

- Baldt
- Byers
- Danforth
- Halls
- Lightweight Anchor
- SAX TW Execution Standard (HHP)
- SAX TW Execution Standard (SHHP)
- SAX Execution Std (HHP, Stockless)
- Speck

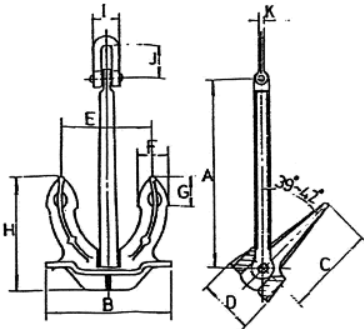
Weight of Anchor (kg)

	Dimensions (mm)								
	A	B	C	D	E	F	G	H	I
180	904	811	251	157	550	434	138	135	36
225	974	874	270	169	593	468	149	145	39
340	1109	995	307	192	675	533	169	165	45
460	1227	1101	340	212	747	590	187	182	49
675	1398	1254	387	242	851	672	213	207	56
910	1540	1382	427	267	938	740	235	229	62
1140	1660	1490	460	287	1011	798	253	246	67
1360	1761	1580	488	305	1072	846	269	261	71
1590	1855	1665	514	321	1130	892	283	275	75
1820	1940	1741	538	336	1182	933	296	288	78
2040	2016	1809	559	349	1227	969	308	299	81
2270	2089	1874	579	362	1272	1004	319	310	84
2720	2218	1991	615	384	1351	1066	339	329	90
3040	2302	2066	638	399	1402	1107	351	342	93
3240	2352	2110	652	407	1432	1130	359	349	95
3445	2400	2154	665	415	1462	1154	366	356	97
3670	2451	2200	680	424	1493	1178	374	364	99
3940	2510	2252	696	434	1529	1207	383	373	101

Weight of Anchor (kg)	Dimensions (mm)								
	A	B	C	D	E	F	G	H	I
4210	2566	2303	711	444	1563	1234	392	381	104
4500	2624	2355	727	454	1598	1261	401	389	106
4840	2688	2412	745	465	1637	1292	410	399	108
5175	2749	2467	762	476	1674	1321	420	408	111
5515	2808	2520	778	486	1710	1350	429	417	113
5850	2864	2570	794	496	1744	1376	437	425	116
6225	2923	2623	810	506	1780	1405	446	434	118
6525	2970	2665	823	514	1808	1428	453	441	120
6600	2981	2675	826	516	1815	1433	455	443	120
7015	3042	2730	843	527	1853	1462	464	452	123
7425	3100	2782	859	537	1888	1490	473	460	125
7875	3162	2837	876	547	1925	1520	483	469	128
8325	3221	2890	893	558	1961	1548	492	478	130
8775	3278	2942	909	567	1996	1576	500	487	132
9225	3333	2991	924	577	2030	1602	509	495	134
9675	3386	3039	939	586	2062	1628	517	503	137
10125	3438	3085	953	595	2094	1653	525	511	139
10575	3488	3130	967	604	2124	1677	533	518	141
10690	3501	3141	970	606	2132	1693	535	519	141
11025	3537	3174	981	612	2154	1700	540	525	143
11250	3561	3196	987	616	2169	1712	544	529	144
11550	3592	3224	996	622	2188	1727	548	533	145
11850	3623	3251	1004	627	2206	1742	553	537	146
12075	3646	3272	1011	631	2220	1753	557	541	147
12525	3691	3312	1023	639	2248	1774	563	548	149
12675	3705	3325	1027	641	2256	1781	566	550	150
13200	3756	3370	1041	650	2287	1805	573	558	152
13350	3770	3383	1045	653	2296	1812	576	560	152
13875	3819	3426	1059	661	2326	1836	583	567	154
14100	3839	3445	1064	665	2338	1846	586	570	155
15000	3919	3517	1086	678	2387	1884	599	582	158
16125	4015	3603	1113	695	2445	1930	613	596	162
17250	4106	3685	1138	711	2501	1974	627	610	166
18375	4194	3763	1163	726	2554	2016	640	623	169
19500	4278	3839	1186	740	2605	2056	653	635	173
20625	4358	3911	1208	754	2654	2095	665	647	176
21750	4436	3980	1230	768	2701	2132	677	659	179

Halls Anchor

Please note that dimensions and weights are nominal and small variations are reserved.



Anchor Weight		Dimensions (mm)										
lbs	kg	A	B	C	D	E	F	G	H	I	J	K
1260	570	1330	950	700	408	670	219	249	862	170	221	52
1455	660	1400	1000	740	430	710	230	262	910	179	234	55
1720	780	1480	1060	870	456	750	244	278	960	189	247	58
1985	900	1550	1110	820	477	780	255	291	1009	199	259	61
2250	1020	1620	1160	860	500	820	267	304	1057	208	272	64
2515	1140	1680	1200	890	520	850	276	315	1094	215	281	66
2845	1290	1750	1260	920	540	880	288	328	1132	224	293	69
3175	1440	1820	1300	960	560	920	299	340	1181	234	306	72
3505	1590	1880	1340	990	580	950	308	351	1218	240	315	74
3835	1740	1930	1380	1020	600	980	318	362	1255	247	323	76
4230	1920	2000	1430	1060	620	1010	329	375	1303	257	336	79
4630	2100	2060	1470	1090	640	1040	338	385	1340	263	344	81
5025	2280	2110	1510	1120	650	1070	347	396	1377	270	353	83
5425	2460	2170	1550	1150	670	1100	357	406	1414	277	361	85
5820	2640	2230	1590	1180	690	1120	366	417	1450	284	370	87
6285	2850	2280	1630	1210	700	1150	375	427	1487	292	383	90
6745	3060	2340	1670	1240	720	1180	384	438	1524	299	391	92
7275	3300	2390	1710	1270	740	1210	393	448	1561	306	400	94
7805	3540	2450	1750	1290	750	1240	402	458	1588	313	408	96
8335	3780	2510	1790	1320	770	1260	412	469	1624	320	417	98
8930	4050	2650	1830	1350	790	1290	420	480	1661	328	429	101
9525	4320	2620	1870	1380	800	1320	430	490	1698	335	438	103
10120	4590	2670	1910	1410	820	1350	440	500	1735	342	446	105
10780	4890	2730	1950	1440	840	1380	448	510	1772	349	455	107
11575	5250	2800	2000	1480	860	1410	460	520	1820	358	467	110
12370	5610	2860	2040	1510	880	1440	470	530	1857	365	476	112
13230	6000	2930	2090	1540	900	1480	480	550	1895	384	489	120
14220	6450	3000	2140	1580	920	1510	492	560	1944	384	502	118
15210	6900	3070	2190	1620	940	1550	500	570	1992	390	510	120
16205	7350	3140	2240	1650	960	1580	520	590	2030	401	522	123
17195	7800	3190	2280	1680	980	1610	530	600	2068	407	530	125
18300	8300	3260	2330	1720	1000	1560	540	610	2116	417	540	128
19180	8700	3311	2365	1745	1017	1580	544	620	2147	423	553	130
19400	8800	3330	2380	1760	1020	1610	550	620	2165	426	560	131

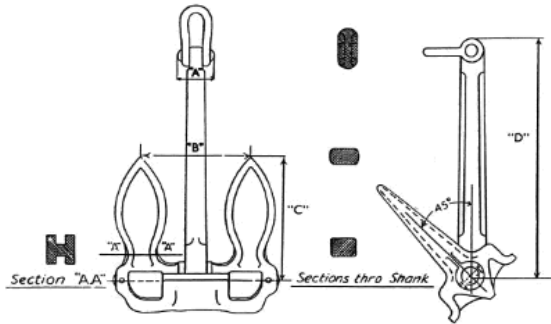
Anchor Weight

Dimensions (mm)

lbs	kg	A	B	C	D	E	F	G	H	I	J	K
20500	9300	3390	2420	1790	1040	1650	560	630	2201	433	570	133
20610	9350	3390	2420	1790	1040	1670	560	630	2201	433	570	133
21825	9900	3460	2470	1820	1060	1680	570	650	2240	442	580	136
23150	10500	3530	2520	1860	1080	1710	680	660	2288	452	590	139
24470	11100	3600	2570	1900	1100	1820	590	670	2337	459	600	141
25795	11700	3650	2610	1930	1120	1840	600	680	2374	468	610	144
27115	12300	3710	2650	1960	1140	1870	610	700	2410	475	620	146
28440	12900	3770	2690	1990	1160	1900	620	710	2447	482	630	148
29760	13500	3840	2740	2020	1180	1940	630	720	2486	491	640	151
31085	14100	3890	2738	2050	1200	1960	640	730	2520	498	650	153
31415	14250	3910	2790	2060	1200	1970	640	730	2534	499	650	153
32405	14700	3950	2818	2080	1201	1990	650	740	2560	504	659	155
33070	15000	3980	2840	2100	1220	2000	650	740	2560	504	659	156
33950	15400	4000	2860	2110	1230	2020	660	750	2596	511	667	157
34830	15800	4050	2890	2130	1240	2040	670	760	2621	517	680	169
34594	16100	4070	2900	2140	1250	2050	670	760	2634	520	680	160
36815	16700	4120	2940	2170	1260	2080	680	770	2670	529	690	162
37255	16900	4130	2950	2180	1270	2090	680	770	2682	528	690	162
38800	17600	4190	2990	2210	1280	2110	690	780	2720	536	700	165
39240	17800	4200	3000	2220	1290	2120	690	790	2730	537	700	165
40785	18500	4260	3040	2250	1310	2150	700	800	2770	544	710	167
41445	18800	4280	3060	2260	1320	2160	700	800	2780	547	718	168
44090	20000	4370	3120	2300	1340	2000	720	820	2831	559	730	172
47400	21500	4770	3190	2360	1370	2250	730	840	2902	572	750	176
50705	23000	4580	3270	2410	1410	2310	750	860	2966	586	770	180
54010	24500	4680	3340	2470	1440	2360	770	880	3038	598	780	184
57320	26000	4770	3410	2510	1470	2410	780	890	3089	609	800	187
60625	27500	4860	3470	2560	1490	2450	800	910	3150	621	810	191
63930	29000	4950	3530	2610	1520	2490	810	930	3211	632	830	194

Byers Anchor

Please note that dimensions and weights are nominal and small variations are reserved.



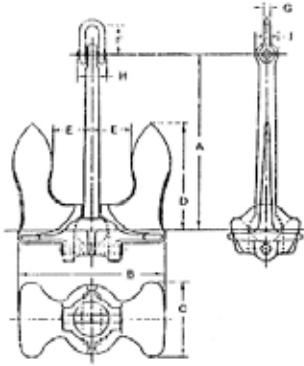
Approximate Dimensions mm

Weight of Anchor (kg)	A	B	C	D
220	165	420	495	1041
266	165	432	502	1067
318	178	432	502	1092
360	178	457	600	1143
412	209	533	610	1168
457	209	533	650	1219
493	216	572	660	1245
600	216	572	660	1321
700	228	610	720	1422
805	241	640	740	1575
915	241	650	787	1600
1025	254	711	838	1651
1130	254	711	864	1702
1250	266	750	898	1829
1350	266	750	920	1880
1475	292	787	946	1880
1600	292	787	965	1930
1720	305	838	999	1981
1870	305	838	1022	1981
2030	318	838	1041	2108
2200	330	889	1080	2184
2360	330	914	1110	2210
2540	330	946	1118	2286
2700	343	980	1180	2362
2900	343	990	1180	2438
3100	370	1041	1219	2438
3300	369	1041	1346	2489
3500	369	1067	1372	2510
3750	393	1092	1397	2591
4000	393	1092	1397	2616
4150	406	1092	1397	2667
4370	406	1143	1448	2692
4575	406	1168	1448	2769
4780	432	1168	1448	2870
5030	436	1168	1448	2896

Weight of Anchor (kg)	Approximate Dimensions mm			
	A	B	C	D
5250	438	1168	1473	3048
5450	445	1168	1473	3073
5700	452	1168	1473	3099
5900	457	1168	1473	3099
6100	457	1295	1549	3124
6350	457	1321	1549	3200
6600	470	1321	1549	3277
6800	470	1321	1549	3353
7100	470	1321	1549	3353
7350	470	1346	1702	3353
7700	477	1346	1702	3353
8000	477	1422	1702	3353
8300	528	1422	1753	3404
8650	528	1422	1753	3404
8900	559	1499	1803	3505
9200	572	1499	1803	3658
9550	572	1524	1803	3759

Baldt Anchor

Please note that dimensions and weights are nominal and small variations are reserved.

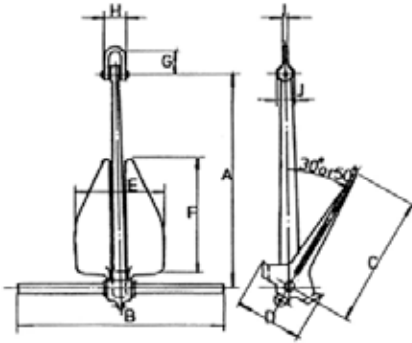


Weight in Kgs	Dimensions in mm								
	A	B	C	D	E	F	G	H	J
450	1066	850	460	640	250	190	40	170	170
500	1170	860	440	690	230	220	40	190	170
570	1170	920	430	720	250	220	40	190	170
600	1170	970	510	770	270	220	40	190	170
650	1240	990	510	760	270	250	50	220	180
700	1240	1020	520	770	280	250	50	220	180
725	1240	1020	520	770	280	250	50	220	180
800	1320	1050	530	840	290	250	50	220	180
850	1320	1090	560	850	300	250	50	220	180
880	1320	1090	560	850	300	250	50	220	180
950	1470	1140	580	850	310	250	50	220	190
1000	1470	1140	590	850	310	250	50	220	190
1100	1470	1140	590	850	310	250	50	220	190
1200	1470	1220	630	910	330	250	50	220	190
1270	1470	1220	630	910	330	250	50	220	190
1360	1620	1190	650	910	320	300	60	250	220
1470	1620	1280	670	960	350	300	60	250	220
1590	1620	1340	700	1000	360	300	60	250	220
1700	1620	1340	700	1000	360	300	60	250	220
1800	1790	1350	700	1000	370	300	60	250	240
1930	1790	1350	700	1000	370	300	60	250	240
2040	1790	1440	740	1070	380	300	60	250	240
2150	1790	1480	760	1090	400	300	60	250	240
2260	1930	1460	760	1070	400	380	80	300	260
2380	1930	1460	760	1070	400	380	80	300	260
2500	1930	1560	820	1140	430	380	80	300	260
2600	1930	1610	840	1190	440	380	80	300	260
2720	1930	1610	840	1190	440	380	80	300	260
2850	1930	1610	840	1190	440	380	80	300	260
2950	2080	1610	840	1210	440	380	80	300	270
3060	2080	1650	860	1240	450	380	80	300	270
3170	2080	1690	880	1260	460	380	80	300	270
3280	2080	1690	880	1260	460	380	80	300	270
3440	2080	1710	880	1260	470	380	80	300	270
3670	2370	1680	870	1240	460	430	90	340	290

Weight in Kgs	Dimensions in mm								
	A	B	C	D	E	F	G	H	J
3900	2370	1740	908	1280	470	430	90	340	290
4080	2440	1780	920	1310	490	430	90	340	290
4300	2440	1830	950	1360	500	430	90	340	290
4540	2440	1920	990	1470	530	480	100	380	300
4990	2440	1920	990	1470	530	480	100	380	300
5440	2440	1950	1020	1470	530	480	100	380	300
5890	2490	1950	1020	1470	530	480	100	380	300
6060	2490	1950	1020	1470	530	480	100	380	330
6350	2620	2050	1120	1520	570	480	100	380	330
6800	2620	2180	1170	1650	610	480	100	380	330
7060	2740	2180	1170	1650	610	480	100	380	330
7250	2740	2180	1170	1650	610	480	100	380	330
7400	2740	2180	1170	1650	610	480	100	380	330
8160	2840	2240	1230	1670	630	560	110	430	330
8570	2840	2240	1230	1670	630	560	110	430	330
9070	2840	2440	1270	1830	660	560	110	430	340
10200	2840	2440	1300	1830	660	560	110	430	340
11340	3050	2520	1370	1970	710	560	110	480	380
12470	3180	2700	1410	2030	740	610	130	480	390
13600	3250	2800	1450	2100	760	610	130	410	410

Lightweight Anchor

Please note that dimensions and weights are nominal and small variations are reserved.

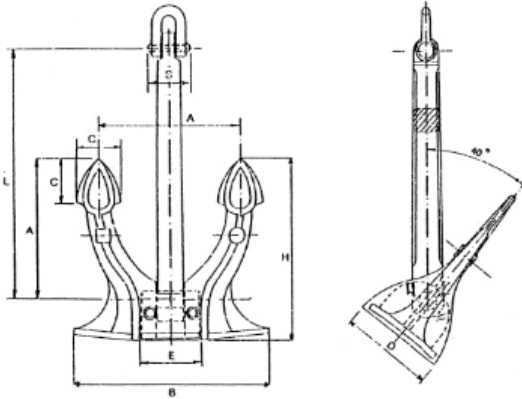


Anchor Weight

Lbs	Kg	Dimensions (mm)								
		A	B	C	D	E	G	H	I	J
500	227	1285	1218	787	438	505	206	135	34	104
750	340	1471	1394	901	502	578	235	154	38	119
1000	454	1619	1535	992	552	636	259	169	42	131
1500	680	1853	1757	1135	632	728	296	194	48	150
2000	907	2040	1933	1250	696	802	326	208	53	166
2500	1134	2197	2083	1346	750	864	352	230	57	178
3000	3160	2335	2213	1432	797	918	374	244	61	190
3500	1588	2458	2330	1506	839	966	393	257	64	199
4000	1815	2570	2436	1573	877	1010	411	269	67	208
4500	2041	2673	2533	1637	912	1053	427	280	70	217
5000	2268	2768	2623	1696	945	1088	443	290	72	224
6000	2722	2941	2788	1802	1003	1156	471	308	77	238
7000	3175	3097	2935	1809	1057	1217	495	324	81	251
8000	3629	3238	3069	1983	1104	1273	518	338	85	262
9000	4082	3368	3192	2063	1194	1324	539	352	88	273
10000	4536	3488	3306	2173	1190	1371	558	365	91	284
12000	5443	3707	3513	2270	1265	1457	593	388	97	300
13000	5897	3807	3608	2332	1300	1496	609	398	99	309
13228	6000	3829	3629	2346	1306	1505	613	401	100	311
14000	6350	3902	3698	2390	1331	1534	624	408	102	317
15000	6804	3993	3784	2446	1362	1569	639	418	104	324
16000	7258	4080	3867	2500	1392	1604	653	427	106	331
18000	8165	4243	4022	2600	1448	1668	679	444	111	344
20000	9072	4394	4166	2692	1498	1727	703	460	115	357
22000	9980	4537	4300	2780	1548	1783	726	475	118	368
25000	11340	4733	4487	2900	1615	1860	757	495	124	385
30000	13608	5030	4768	3082	1716	1977	805	256	131	408
35000	15876	5295	5020	3244	1806	2081	847	554	138	430
40000	18144	5536	5248	3392	1887	2276	886	579	145	450
45000	20412	5759	5459	3528	1965	2264	921	603	150	467
50000	22680	5964	5653	3654	2035	2344	954	624	156	484
60000	27216	6338	6007	3883	2162	2491	1014	663	165	514
70000	31752	6673	6324	4088	2176	2624	1068	698	174	541
80000	36288	6976	6612	4273	2380	2742	1116	730	182	566
90000	40824	7255	6788	4445	2475	2852	1161	759	189	589
100000	45360	7515	7122	4604	2564	2954	1202	786	196	610

Spek Anchor

Please note that dimensions and weights are nominal and small variations are reserved.

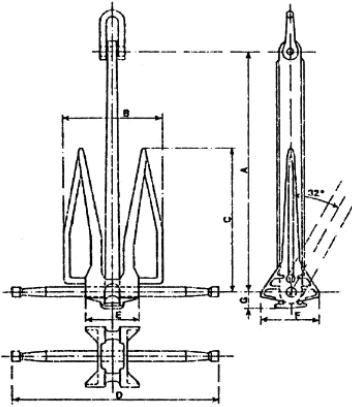


Approximate Dimensions in mm

Weight in Kgs	A	B	C	D	E	H	L
240-310	500	680	160	342	220	650	900
310-380	550	760	175	390	228	716	990
380-480	600	827	190	412	258	780	1080
480-610	650	902	205	442	280	846	1170
610-735	700	960	221	472	302	910	1260
735-880	750	1030	235	502	320	975	1350
880-1030	800	1100	251	542	340	1040	1440
1030-1150	850	1170	270	568	362	1102	1530
1150-1400	900	1240	286	587	388	1158	1620
1400-1750	950	1299	295	644	420	1229	1710
1750-2020	1000	1378	316	671	442	1300	1800
2020-2360	1050	1454	330	706	460	1362	1890
2360-2750	1100	1514	343	744	480	1424	1980
2750-3000	1150	1594	362	788	492	1502	2070
3000-3700	1200	1650	380	801	520	1560	2160
3700-4000	1350	1850	418	890	580	1743	2430
4000-5100	1400	1927	438	910	610	1813	2520
5100-5800	1450	2000	451	954	626	1864	2610
5800-6500	1500	2060	467	993	642	1946	2700
6500-8000	1550	2138	490	1030	650	2006	2790
8000-9600	1700	2333	533	1118	734	2210	3060
9600-11700	1770	2449	553	1178	782	2301	3186
11700-14100	1910	2632	603	1270	844	2483	3438
14100-17000	2050	2825	648	1360	876	2655	3690

Danforth Anchor

Please note that dimensions and weights are nominal and small variations are reserved.



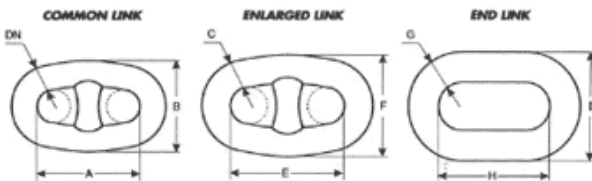
Weight of Anchor

Weight of Anchor		Dimensions in mm							
Kg	Lbs	A	B	C	D	E	F	G	
225	500	1600	665	975	1340	310	325	85	
340	750	1720	720	1000	1480	368	370	95	
455	1000	1830	760	1100	1580	395	410	110	
680	1500	1955	815	1180	1690	425	475	135	
910	2000	2100	900	1275	1820	490	525	140	
1135	2500	2260	930	1350	2140	510	560	145	
1360	3000	2390	990	1440	2260	540	595	150	
1820	4000	2640	1050	1590	2550	585	660	170	
2270	5000	2780	1170	1650	2700	600	710	175	
2730	6000	2960	1200	1780	2810	640	750	205	
3180	7000	3120	1280	1880	2960	675	790	215	
3635	8000	3260	1320	1960	3090	700	825	225	
4080	9000	3380	1370	2040	3210	730	830	235	
4540	10000	3510	1420	2100	3330	755	890	240	
5445	12000	3730	1510	2240	3540	805	945	255	
6350	14000	3920	1590	2350	3720	845	995	270	
7260	16000	4100	1650	2470	4000	885	1040	280	
8165	18000	4270	1730	2560	4080	920	1080	295	
9075	20000	4370	1770	2620	4150	945	1110	300	
11345	25000	4710	1910	2820	4470	1020	1195	325	
13610	30000	5000	2025	3000	4750	1080	1270	345	



Dimensions of Stud Link Chain Cables

Please note that dimensions and weights are nominal and small variations are reserved.
E & OE



Coupling Systems

Coupling to the Anchor
Coupling to the Chain Locker

Fittings, Shackles, Swivels & Links

Anchor Shackle
Detachable Anchor Pear- Shaped Link
Jaw and Jaw Swivel Shackle
Kenter Connecting Link
Swivel

Chain Data

Approximate weights & details
Stud Link Chain Testing

DN Normal Size	Common Link		Enlarged Link			End Link			Dimensions over 5 Consecutive Links		Weight kg/m	
	A mm	B mm	c mm	E mm	f mm	G mm	h mm	I mm	Min mm	Max mm		
14	9/16	56	50	15	62	55	17	61	56	308	316	4.4
16	5/8	64	58	18	70	63	19	70	64	352	361	5.6
17.5	11/16	70	63	19	76	68	20.5	76	70	385	395	6.8
19	3/4	76	68	20.5	82	74	22	83	76	418	428	8.1
20.5	13/16	82	74	22	88	79	24	89	82	451	462	9.4
22	7/8	88	79	24	96	86	26	96	88	484	496	10.8
24	15/16	96	86	26	104	94	28	104	96	528	541	12.9
26	1	104	94	28	112	101	32	113	104	572	586	15.1
28	1 1/8	112	101	30	120	108	34	122	112	616	631	17.5
30	1 3/16	120	108	34	136	122	36	131	120	660	677	19.9
32	1 1/4	128	115	36	144	130	38	139	128	704	722	22.2
34	1 3/8	136	122	38	152	137	40	148	136	748	767	25.4
36	1 7/16	144	130	40	160	144	44	157	144	792	812	29
38	1 1/2	152	137	42	168	151	46	165	152	836	857	32.3
40	1 9/16	160	144	44	176	158	48	174	160	880	902	35.8
42	1 5/8	168	151	46	184	166	50	183	168	924	947	39.4
44	1 3/4	176	158	48	192	173	52	191	176	968	992	43
46	1 13/16	184	166	50	200	180	56	200	184	1012	1037	47

DN		Common		Enlarged Link			End Link			Dimensions over 5		Weight
Normal Size		Link		c	E	f	G	h	I	Consecutive Links		
mm	Inches	A mm	B mm	mm	mm	mm	mm	mm	mm	Min mm	Max mm	kg/m
48	1 7/8	192	173	54	216	194	58	209	192	1056	1082	51
50	1 15/16	200	180	56	224	202	60	218	200	1100	1128	55
52	2 1/16	208	187	58	232	209	62	226	208	1144	1173	59
54	2 1/8	216	194	60	240	216	64	235	216	1188	1218	64
56	2 3/16	224	202	62	248	223	68	244	224	1232	1263	68
58	2 1/4	232	209	64	256	230	70	252	232	1276	1308	73
60	2 3/8	240	216	66	264	238	73	261	240	1320	1353	79
62	2 7/16	248	223	68	272	245	73	270	248	1364	1398	84
64	2 1/2	256	230	70	280	252	76	278	256	1408	1443	90
66	2 9/16	264	238	73	292	263	81	287	264	1452	1488	95
68	2 11/16	272	245	76	304	274	81	296	272	1496	1533	101
70	2 3/4	280	252	78	312	281	84	305	280	1540	1579	107
73	2 7/8	292	263	81	324	292	87	318	292	1606	1646	116
76	3	304	274	84	336	302	92	331	304	1672	1714	126
78	3 1/16	312	281	85	340	306	95	339	312	1716	1759	133
81	3 3/16	324	292	90	360	324	97	352	324	1782	1827	144
84	3 5/8	336	302	92	368	331	100	365	336	1848	1894	155
87	3 7/16	348	313	97	388	349	105	378	348	1914	1962	167
90	3 1/2	360	324	100	400	360	107	392	360	1980	2030	178
92	3 5/8	368	331	102	408	367	111	400	368	2024	2075	186
95	3 3/4	380	342	105	420	378	115	413	380	2090	2142	198
97	3 13/16	388	349	107	428	385	117	422	388	2134	2187	207
100	3 15/16	400	360	111	444	400	120	435	400	2200	2255	220
102	4	408	367	112	448	403	122	444	408	2244	2300	228

Approximate weights & misc. details

The Kenter joining shackle is used to join two stud link chain elements ending in a common link or enlarged link. Its made of Heavy Duty forged steel (U2- U3 grade)

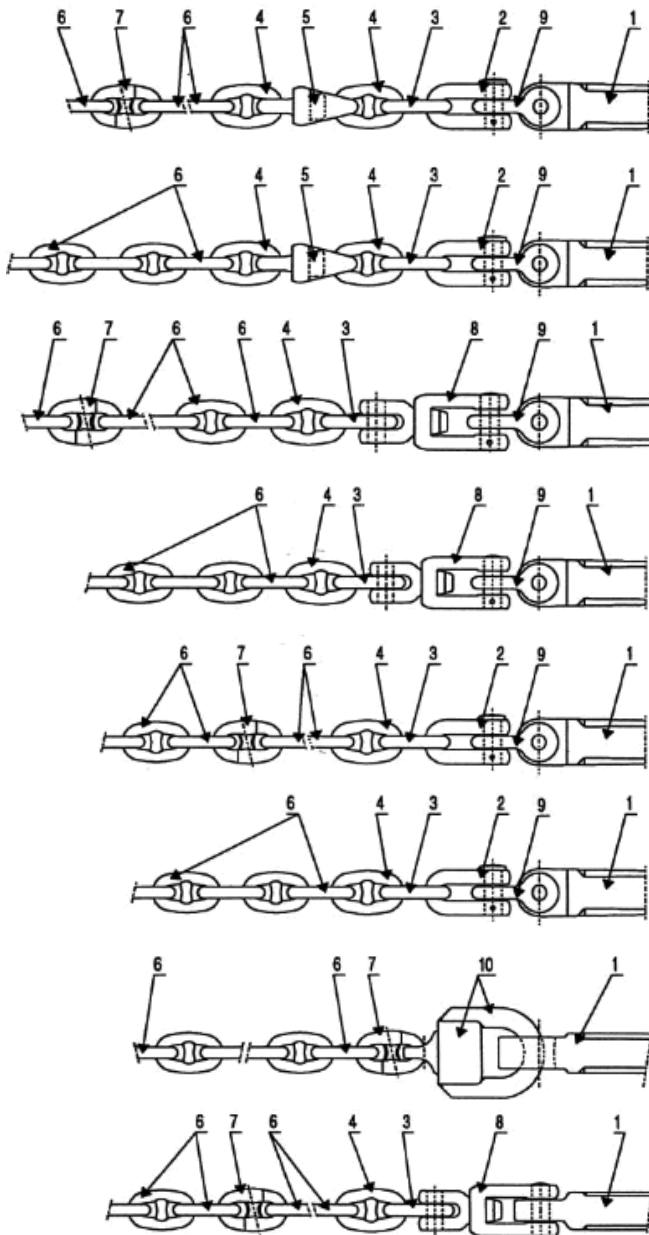
Please note that dimensions and weights are nominal and small variations are reserved. E & OE.

Diameter mm	Stud Link Chain weights		Common Enlarged Link		Joining End Shackle	Joining Shackle	Anchor Shackle		Swivel Shackle	
	kgs/m	kgs/s7.5m	kgs	kgs	kgs	Kenter	Type D	Type D	Swivel	kgs
12.5	3.5	96	0.17	0.23	0.23	0.39	0.8	1.1	0.9	~
14	4.4	121	0.24	0.32	0.36	0.51	1.1	1.3	1.3	~
16	5.8	160	0.36	0.5	0.51	0.62	1.3	1.6	1.7	~
17.5	7.0	193	0.47	0.74	0.68	0.82	1.6	2.0	2.1	~
19	8.1	223	0.60	0.88	0.89	1.00	1.8	2.5	2.5	~
20.5	10.0	275	0.75	1.10	1.13	1.35	2.1	3.3	3.1	~
22	11.1	305	0.93	1.25	1.28	1.6	2.5	4.0	3.5	10
24	13.3	366	1.21	1.70	1.77	2.0	3.5	5.0	5.0	14
26	15.7	432	1.55	2.15	2.20	2.7	4.3	6.0	6.0	18
28	18.3	503	1.9	2.8	2.9	3.3	5.0	8.0	7.5	23
30	21.0	578	2.4	3.2	3.3	3.9	7.0	9.5	9.0	28
32	23.9	657	2.9	3.9	4.0	4.6	7.5	12.0	11.0	33
34	27.0	743	3.4	4.7	5.0	5.8	9.5	14.0	13.5	38
36	30.2	831	4.0	5.5	5.9	6.6	11.0	17.0	16.0	46
38	33.7	927	4.7	6.1	6.8	7.8	13.0	20.0	19.0	53
40	37.1	1020	5.5	7.1	8.0	9.1	15.0	23.0	23.0	61
42	40.5	1114	6.4	8.4	9.6	10.5	17.5	26.0	27.0	69
44	44.3	1218	7.4	10.0	11.2	12.2	20.0	29.0	32.0	75
46	48.5	1334	8.5	11.5	13.0	14.0	22.5	33	37.0	82
48	52.8	1452	9.8	13.1	15.0	16.0	26.0	37	44.0	90
50	57	1568	11	15	17	18	29	41	57	97
52	62	1705	13	17	20	20	31	45	57	105
54	66	1815	14	19	22	20	34	50	67	113
56	71	1953	16	21	23	24	38	54	67	120
58	77	2118	17	23	25	28	44	65	80	129
60	83	2283	19	25	27	28	48	70	95	140
62	88	2420	21	28	30	33	52	76	95	140
64	94	2585	23	31	34	38	57	82	112	155
66	100	2750	25	34	38	38	66	94	130	180
68	107	2943	27	37	42	44	70	101	130	180
70	114	3135	30	40	45	44	75	108	152	200
73	124	3410	34	45	52	51	87	124	172	250
76	135	3713	39	50	59	58	99	141	194	315
78	142	3905	42	55	63	65	106	150	194	315
81	154	4235	46	61	70	74	119	171	220	375
84	166	4565	52	68	78	84	134	193	242	425
87	178	4895	58	75	86	94	150	218	270	475
90	189	5198	64	82	95	105	167	243	300	540
92	199	5473	68	88	100	105	175	256	325	570
95	211	5803	75	98	112	115	200	290	350	610
97	220	6050	80	102	120	135	210	305	350	610
100	234	6435	88	112	130	150	230	335	385	680
102	243	6683	93	120	138	150	243	350	420	772
107	266	7315	109	140	158	175	285	410	495	830
111	287	7893	120	160	175	200	305	445	535	860

Diameter mm	Stud Link Chain		Common Enlarged		End	Joining	Joining	Anchor	Swivel	
	weights kgs/m	kgs/s7.5m	Link kgs	Link kgs	Link kgs	Shackle Kenter kgs	Shackle Type D kgs	Shackle Type D kgs	Swivel kgs	Shackle kgs
114	304	8360	130	173	193	225	325	475	570	900
117	317	8718	142	185	210	225	345	505	610	950
122	345	9488	160	210	235	267	380	550	650	1000
127	375	10313	182	235	260	315	420	600	720	1080
132	400	11000	205	260	305	370	480	675	760	1150
137	436	11990	230	285	330	390	550	750	900	1500
142	467	12843	255	325	375	450	650	900	1100	1900
147	489	13723	280	395	410	505	720	1055	1200	2100
152	535	14713	310	410	460	545	810	1200	1400	2500
157	570	15675	345	455	510	605	900	1340	1550	2800
162	610	16775	375	500	560	660	980	1450	1700	3000

Dimensions of Stud Link Chain Cables

Please note that dimensions and weights are nominal and small variations are reserved.

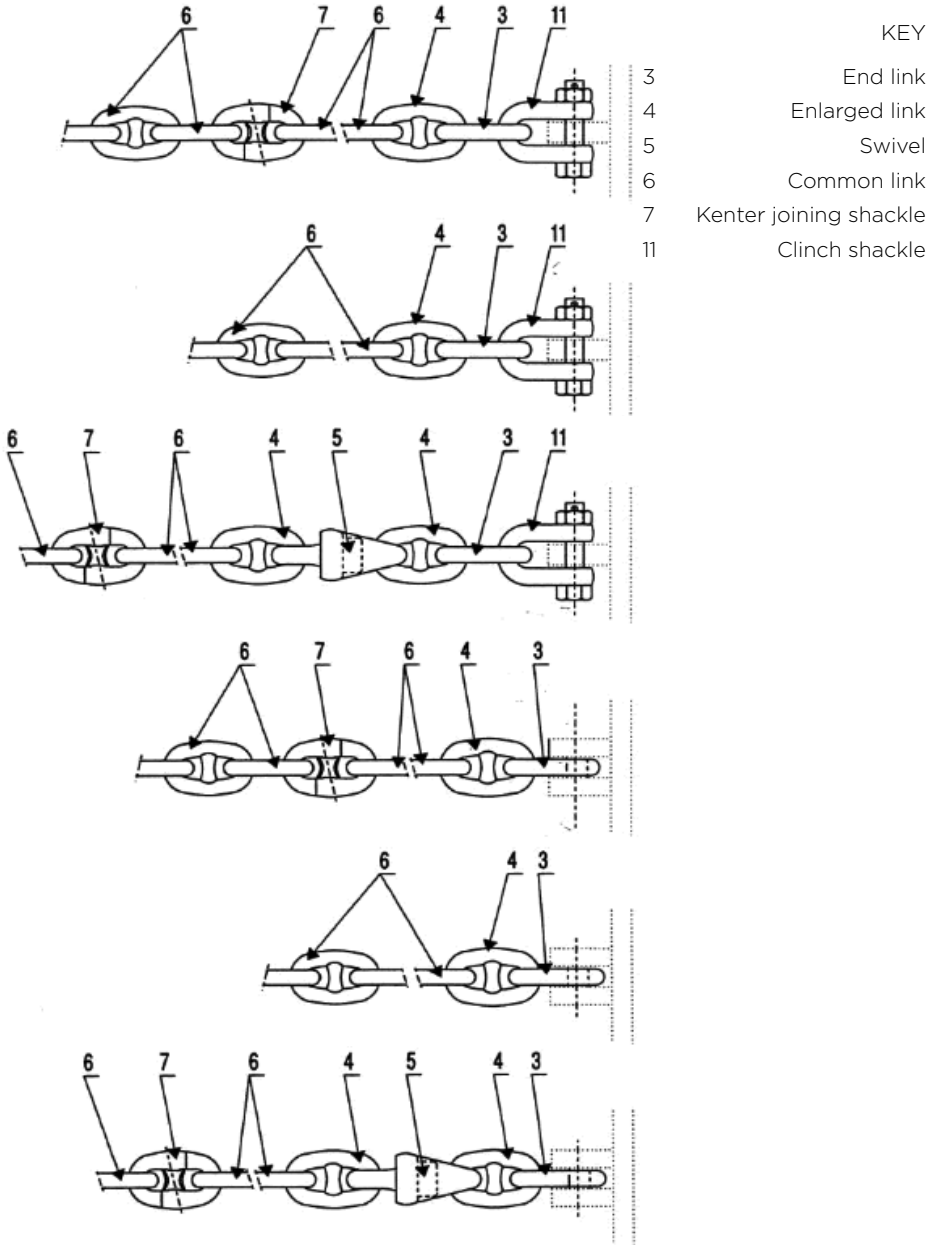


KEY

- 1 Anchor shank
- 2 Anchor shackle DT 104
- 3 End link
- 4 Enlarged link
- 5 Swivel
- 6 Common link
- 7 Kenter joining shackle
- 8 Jaw and jaw swivel
- 9 Anchor crown shackle
- 10 Anchor swivel

Coupling to the Chain Locker

Please note that dimensions and weights are nominal and small variations are reserved.



Stud Link Chain Testing

Breaking and proof loads.

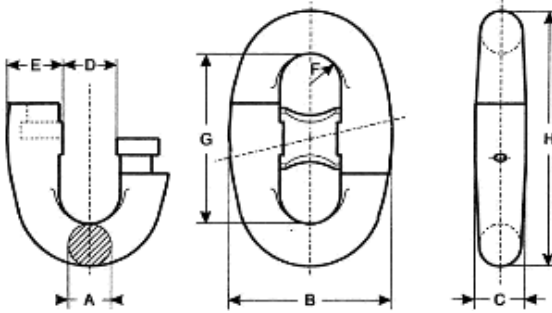
Please note that dimensions and weights are nominal and small variations are reserved. E & OE

DN Nominal Size		QUAL 2 High Strength (Q2-U2-K2-Grade 2) R>490 N/mm2 A%> 22		QUAL 3 Extra High Strength (Q3-U3-K3-Grade 3) R<690 N/mm2 A%>17 Z%>40	
mm	Inches	Tension Proof Load kN	Breaking Load kN	Tension Proof Load kN	Breaking Load kN
14	9/16	82	116	116	165
16	5/8	107	150	150	216
17.5	11/16	127	180	180	256
19	3/4	150	211	211	301
20.5	13/16	175	245	245	350
22	7/8	200	280	280	401
24	15/16	237	332	332	476
26	1	278	390	390	556
28	1 1/8	321	449	449	642
30	1 3/16	368	514	514	735
32	1 1/4	417	583	583	833
34	1 3/8	468	655	655	937
36	1 7/16	523	732	732	1050
38	1 1/2	581	812	812	1160
40	1 9/16	640	896	896	1280
42	1 5/8	703	981	981	1400
44	1 3/4	769	1080	1080	1550
46	1 13/16	837	1170	1170	1680
48	1 7/8	908	1280	1280	1810
50	1 15/16	981	1370	1370	1960
52	2 1/8	1060	1480	1480	2110
54	2 1/8	1140	1600	1600	2270
56	2 3/16	1220	1710	1710	2450
58	2 1/4	1300	1810	1810	2600
60	2 3/8	1380	1950	1950	2770
62	2 7/16	1470	2060	2060	2950
64	2 1/2	1560	2200	2200	3130
66	2 9/16	1660	2310	2310	3300
68	2 11/16	1750	2450	2450	3500
70	2 3/4	1850	2600	2600	3700
73	2 7/8	2000	2800	2800	4000
76	3	2150	3010	3010	4300
78	3 1/16	2260	3160	3160	4500
81	3 3/16	2410	3380	3380	4820
84	3 5/16	2600	3610	3610	5160
87	3 7/16	2750	3850	3850	5500
90	3 1/2	2920	4090	4090	5840
92	3 5/8	3040	4260	4260	6080
95	3 3/4	3230	4510	4510	6440
97	3 13/16	3350	4680	4680	6690
100	3 15/16	3530	4940	4940	7060
102	4	3660	5120	5120	7320

Kenter Connecting Link

The Kenter joining shackle is used to join two stud link chain elements ending in a common link. Its made of Heavy Duty forged steel (U2- U3 grade).

Please note that dimensions and weights are nominal and small variations are reserved. E & OE



DN	NS	A	B	C	D	E	F	G	H	Kg
mm	Inches	mm	mm	mm	mm	mm	mm	mm	mm	
14	9/16	14	59	21	16	22	9	56	84	0.5
16	5/8	16	67	24	18	25	11	64	96	0.6
17.5	11/16	18	73	27	20	27	12	70	105	0.8
19	3/4	19	79	29	21	29	13	76	114	1
20.5	13/16	21	86	31	23	32	14	82	123	1.6
22	7/8	22	92	33	24	34	15	88	132	1.6
24	15/16	24	100	36	27	37	16	96	144	2
26	1	26	109	40	29	40	17	104	156	2.7
28	1 1/8	28	117	43	31	43	18	112	168	3.3
30	1 3/16	30	125	46	33	47	20	120	180	3.9
32	1 1/4	32	134	49	36	50	21	128	192	4.6
34	1 3/8	34	142	52	38	53	22	136	204	5.8
36	1 7/16	36	150	55	40	56	24	144	216	6.6
38	1 1/2	38	159	58	42	59	25	152	228	7.8
40	1 9/16	40	167	61	45	62	26	160	240	9.8
42	1 5/8	42	176	64	47	65	28	168	252	10.6
44	1 3/4	44	184	67	49	68	29	176	264	12
46	1 13/16	46	192	70	51	71	30	184	276	14
48	1 7/8	48	201	73	53	74	32	192	288	15.5
50	2	50	209	76	56	78	33	200	300	17.5
52	2 1/16	52	217	79	58	81	34	208	312	20
54	2 1/8	54	226	82	60	84	36	216	324	22
56	2 3/16	56	234	85	62	87	37	224	336	26
58	2 1/4	58	242	88	65	90	38	232	348	30
60	2 3/8	60	251	91	67	93	40	240	360	31.5
62	2 7/16	62	259	94	70	96	41	248	372	34
64	2 1/2	64	268	97	72	99	42	256	384	38
66	2 9/16	66	276	100	74	102	44	264	396	44
68	2 11/16	68	284	103	76	105	45	272	408	47
70	2 3/4	70	293	106	78	109	46	280	420	52
73	2 7/8	73	305	111	81	113	48	292	438	57.5
76	3	76	318	116	85	118	50	304	456	65
78	3 1/16	78	326	119	87	121	51	312	468	70
81	3 3/16	82	343	125	90	127	54	328	492	82
84	3 5/8	84	351	128	94	130	55	336	504	88

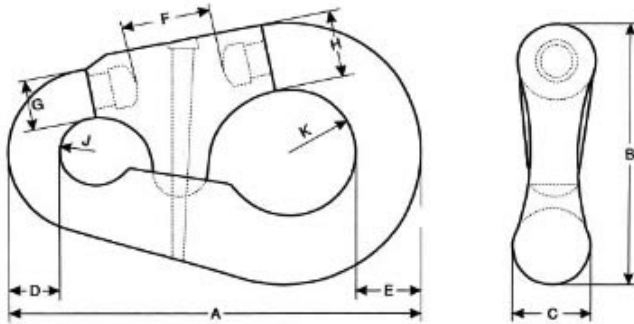
DN	NS	A	B	C	D	E	F	G	H	
mm	Inches	mm	mm	mm	mm	mm	mm	mm	mm	Kg
87	3 7/16	87	364	132	97	135	57	348	522	95
90	3 1/2	90	376	137	101	140	59	360	540	104
92	3 5/8	92	385	140	103	143	61	368	552	112
95	3 3/4	95	397	144	106	147	63	380	570	123
97	3 13/16	97	405	147	108	150	64	388	582	131
100	3 15/16	100	418	152	112	155	66	400	600	144
102	4	102	426	155	114	158	67	408	612	151

Detachable Anchor Pear- Shaped Link

The pear shaped link is used to join the swivel end of the chain cable to the anchor shackle.

Because of its smooth profile, the pear shaped link can advantageously replace the Kenter anchor link (DT 103). Its lightness makes it very easy to handle. The position of the closing system and its simplicity makes it easier to use where larger chain diameters are concerned.

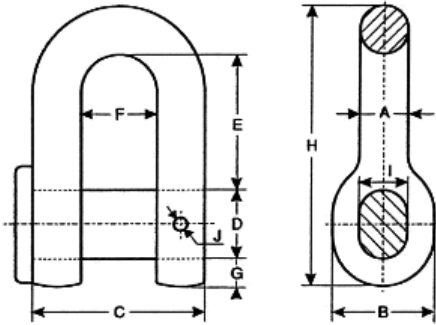
Please note that dimensions and weights are nominal and small variations are reserved. E & OE



DN	NS	A	B	C	D	E	F	G	H	J	K	Kg
mm	inches	mm	mm	mm	mm	mm	mm	mm	mm	mm	mm	
19-24	3/4 15/16	194	132	38	24	32	57	24	35	17	31	3
25-30	1 1 3/16	238	167	46	30	38	66	33	45	19	35	6.5
32-40	1 1/4 1 9/16	298	206	59	40	48	83	40x45	57	26	43	13
42-51	1 5/8 2	378	260	76	51	64	100	59x61	74	32	53	27
52-60	2 1/16 2 3/8	454	313	92	60	76	121	73x62	88	38	65	49
62-79	2 7/16 3 1/8	562	376	117	79	95	149	79x86	111	48	76	95
81-92	3 3/16 3 5/8	654	419	133	92	124	149	102x111	130 x 134	54	80	150
94-95	3 1/16 3 3/4	692	435	146	98	130	159	124x137	142	57	83	236
97-102	3 13/16 4	889	572	191	121	165	191	130	181	73	108	386
103-111	4 1/16 4 3/8	940	610	203	127	175	203	146x156	194	76	111	420
110-114	4 5/16 4 1/2	991	648	216	133	184	216	165x175	204	105	115	460

Anchor Shackle

Please note that dimensions and weights are nominal and small variations are reserved.

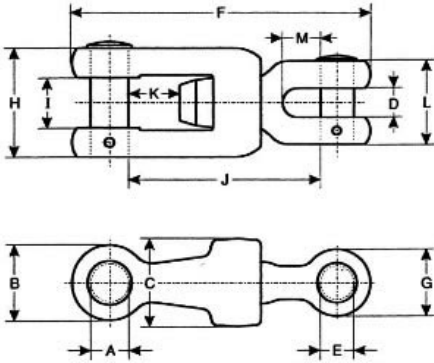


DN	NS	A	B	C	D	E	F	G	H	I	J	Kg
mm	inches	mm	mm	mm	mm	mm	mm	mm	mm	mm	mm	
14	9/16	20	42	70	27	55	30	13	115	18	6	1.1
16	5/8	22	48	80	29	66	36	14	131	21	6	1.3
17.5	11/16	25	53	88	32	71	38	16	144	23	6	1.4
19	3/4	29	62	103	39	82	45	18	168	27	6	3
20.5	13/16	29	62	103	39	82	45	18	168	27	6	3
22	7/8	31	66	110	42	87	48	20	180	29	6	4
24	15/16	34	72	120	46	96	53	22	197	31	8	5
26	1	38	81	135	51	108	59	24	221	35	8	7
28	1 1/8	38	81	135	51	108	59	24	221	35	8	7
30	1 3/16	43	93	155	59	124	69	28	254	40	10	11
32	1 1/4	43	93	155	59	124	69	28	254	40	10	11
34	1 3/8	49	105	175	67	139	77	32	287	46	12	15
36	1 7/16	49	105	175	67	139	77	32	287	46	12	15
38	1 1/2	55	117	195	74	156	85	35	320	51	14	22
40	1 9/16	55	117	195	74	156	85	35	320	51	14	22
42	1 5/8	55	117	195	74	156	85	35	320	51	14	22
44	1 3/4	62	132	220	84	175	96	40	361	57	16	32
46	1 13/16	66	141	235	89	188	103	42	385	61	16	38
48	1 7/8	66	141	235	89	188	103	42	385	61	16	38
50	1 15/16	71	153	255	97	204	113	46	418	66	16	50
52	2 1/16	71	153	255	97	204	113	46	418	66	16	50
54	2 1/8	71	153	255	97	204	113	46	418	66	16	50
56	2 3/16	77	165	291	105	219	127	50	451	72	20	58
58	2 1/4	83	177	302	112	236	136	53	484	77	20	69
60	2 3/8	83	177	302	112	236	136	53	484	77	20	69
62	2 7/16	90	192	320	122	255	140	58	525	83	20	84
64	2 1/2	90	192	320	122	255	140	58	525	83	20	84
66	2 9/16	95	204	340	129	273	150	61	558	88	20	103
68	2 11/16	95	204	340	129	273	150	61	558	88	20	103
70	2 3/4	98	210	350	133	280	154	63	574	91	25	114
73	2 7/8	102	219	365	139	292	161	66	599	95	25	132
76	3	108	231	385	146	308	169	69	631	100	25	150
78	3 1/16	108	231	385	146	308	169	69	631	100	25	150
81	3 3/16	115	246	410	156	327	180	74	672	107	25	181
84	3 5/16	115	246	410	156	327	180	74	672	107	25	181
87	3 7/16	122	261	435	165	348	191	78	713	113	30	224
90	3 1/2	130	279	465	177	372	205	84	763	121	30	248
92	3 5/8	130	279	465	177	372	205	84	763	121	30	248
95	3 3/4	133	285	475	181	380	209	86	779	124	30	300
97	3 13/16	137	294	490	186	393	216	88	804	127	30	318
100	3 15/16	141	303	505	192	404	223	91	828	131	34	348
102	4	141	303	505	192	404	223	91	828	131	34	348

Jaw and Jaw Swivel Shackle

This swivel shackle, fitted directly between the chain cable and the anchor, avoids the use of an anchor shackle and a Kenter link if the chain is fitted with an end link.

Please note that dimensions and weights are nominal and small variations are reserved.

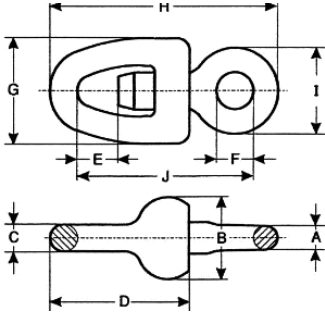


DN	NS	A	B	C	D	E	F	G	H	I	J	K	L	M	-
mm	inches	mm	mm	mm	mm	mm	mm	mm	mm	mm	mm	mm	mm	mm	mm
14	9/16	27	54	56	22	21	227	45	80	35	147	50	64	29	7
16	5/8	27	54	56	22	21	227	45	80	35	147	50	64	29	7
17.5	11/16	30	60	61	25	23	248	49	88	39	161	55	70	32	8
19	3/4	32	65	67	27	25	269	53	95	42	175	60	76	34	9
20.5	13/16	35	70	72	29	27	290	57	103	45	189	65	82	37	9
22	7/8	37	75	77	31	29	312	62	110	48	202	69	88	40	10
24	15/16	41	82	84	34	31	340	67	120	53	221	76	96	43	14
26	1	44	88	91	36	34	368	73	130	57	239	82	104	47	18
28	1 1/8	48	95	98	39	36	396	78	140	62	258	88	112	50	23
30	1 3/16	51	102	105	42	39	425	84	150	66	276	95	120	54	28
32	1 1/4	54	109	112	45	42	453	90	160	70	294	101	128	58	33
34	1 3/8	58	116	119	48	44	481	95	170	75	313	107	136	61	38
36	1 7/16	61	122	126	50	47	510	101	180	79	331	113	144	65	46
38	1 1/2	65	129	133	53	49	538	106	190	84	350	120	152	68	53
40	1 9/16	68	136	140	56	52	566	112	200	88	368	126	160	72	63
42	1 5/8	71	143	147	59	55	595	118	210	92	386	132	168	76	69
44	1 3/4	75	150	154	62	57	623	123	220	97	405	139	176	79	75
46	1 13/16	78	156	161	64	60	651	129	230	101	423	145	184	83	82
48	1 7/8	82	163	168	67	62	680	134	240	106	442	151	192	86	90
50	2	85	170	175	70	65	708	140	250	110	460	158	200	90	97
52	2 1/16	88	177	182	73	68	736	146	260	114	478	164	208	94	108
54	2 1/8	92	184	189	76	70	765	151	270	119	497	170	216	97	120
56	2 3/16	95	190	196	78	73	793	157	280	123	515	176	224	101	144
58	2 1/4	99	197	203	81	75	821	162	290	128	534	183	232	104	168
60	2 3/8	102	204	210	84	78	850	168	300	132	552	189	240	108	200
62	2 7/16	105	211	217	87	81	878	174	310	136	570	195	248	112	228
64	2 1/2	109	218	224	90	83	906	179	320	141	589	202	256	115	258
66	2 9/16	112	224	231	92	86	935	185	330	145	607	208	264	119	282
68	2 11/16	116	231	238	95	88	963	190	340	150	626	214	272	122	303
70	2 3/4	119	238	245	98	91	991	196	350	154	644	221	280	126	330
73	2 7/8	124	248	256	102	95	1034	204	365	161	672	230	292	131	361
76	3	129	258	266	106	99	1076	213	380	167	699	239	304	137	394
78	3 1/16	133	265	273	109	101	1104	218	390	172	718	246	312	140	413
81	3 3/16	138	275	284	113	105	1147	227	405	178	745	255	324	146	453
84	3 5/16	143	286	294	118	109	1189	235	420	185	773	265	336	151	493
87	3 7/16	148	296	305	122	113	1232	244	435	191	800	274	348	157	540
90	3 1/2	153	306	315	126	117	1274	252	450	198	828	284	360	162	600
92	3 5/8	156	313	322	129	120	1303	258	460	202	846	290	368	166	640
95	3 3/4	162	323	333	133	124	1345	266	475	209	874	299	380	171	700
97	3 13/16	165	330	340	136	126	1374	272	485	213	892	306	388	175	740
100	3 15/16	170	340	350	140	130	1416	280	500	220	920	315	400	180	878
102	4	173	347	357	143	133	1444	286	510	224	938	321	408	184	970

SWIVEL

The Swivel is usually fitted between the anchor and the chain cable to prevent the chain cable from twisting and kinking. An anchor shackle with a joining shackle (DT 105) or a Kenter link are needed to complete the assembly. Material of construction is heavy grade (U3) duty forged steel.

Please note that dimensions and weights are nominal and small variations are reserved. E & OE



DN	NS	A	B	C	D	E	F	G	H	I	J	Kg
mm	inches	mm	mm	mm	mm	mm	mm	mm	mm	mm	mm	
14	9/16	15	48	17	88	23	22	66	136	50	104	1.7
16	5/8	18	54	19	101	26	25	75	155	58	118	1.9
17.5	11/16	19	60	21	110	29	27	82	170	63	130	2.1
19	3/4	23	70	25	129	34	32	96	199	74	152	3
20.5	13/16	23	70	25	129	34	32	96	199	74	152	3
22	7/8	24	75	26	139	36	34	103	213	79	163	3.5
24	15/16	26	82	29	151	40	37	113	233	86	178	5
26	1	29	88	31	164	43	40	122	252	94	192	6
28	1 1/8	31	95	34	176	46	43	132	272	101	207	7.5
30	1 3/16	33	102	36	189	50	46	141	291	108	222	9
32	1 1/4	35	109	38	202	53	49	150	310	115	237	11
34	1 3/8	37	116	41	214	56	52	160	330	122	252	13.5
36	1 7/16	40	122	43	227	59	55	169	349	130	266	16
38	1 1/2	42	129	46	239	63	59	179	369	137	281	19
40	1 9/16	44	136	48	252	66	62	188	388	144	296	22
42	1 5/8	46	143	50	265	69	65	197	407	151	311	25.5
44	1 3/4	50	153	54	284	74	69	212	437	162	333	31.5
46	1 13/16	50	153	54	284	74	69	212	437	162	333	31.5
48	1 7/8	53	163	58	302	79	74	226	466	173	355	38
50	1 15/16	56	173	61	321	84	79	240	495	184	377	46
52	2 1/16	58	180	64	334	87	82	249	514	191	392	52
54	2 1/8	58	180	64	334	87	82	249	514	191	392	52
56	2 3/16	62	190	67	353	92	86	263	543	202	414	60.5
58	2 1/4	64	197	70	365	96	89	273	563	209	429	67.5
60	2 3/8	68	211	74	391	102	95	291	601	223	459	83
62	2 7/16	68	211	74	391	102	95	291	601	223	459	83
64	2 1/2	70	218	77	403	106	99	301	621	230	474	90
66	2 9/16	73	224	79	416	109	102	310	640	238	488	99
68	2 11/16	75	231	82	428	112	105	320	660	245	503	108
70	2 3/4	75	231	82	428	112	105	320	660	245	503	108
73	2 7/8	80	248	88	460	120	112	343	708	263	540	134
76	3	84	258	91	479	125	117	357	737	274	562	152
78	3 1/16	86	265	94	491	129	120	367	757	281	577	164
81	3 3/16	90	279	98	517	135	126	385	795	295	607	185
84	3 5/16	96	296	104	548	144	134	409	844	313	644	200
87	3 7/16	96	296	104	548	144	134	409	844	313	644	200

DN	NS	A	B	C	D	E	F	G	H	I	J	
mm	inches	mm	mm	mm	mm	mm	mm	mm	mm	mm	mm	Kg
87	3 7/16	96	296	104	548	144	134	409	844	313	644	200
90	3 1/2	103	320	113	592	155	145	442	912	338	696	266
92	3 5/8	103	320	113	592	155	145	442	912	338	696	266
95	3 3/4	108	333	118	617	162	151	461	951	353	725	300
97	3 13/16	108	333	118	617	162	151	461	951	353	725	300
100	3 15/16	112	347	122	643	168	157	479	989	367	755	342
102	4	112	347	122	643	168	157	479	989	367	755	342

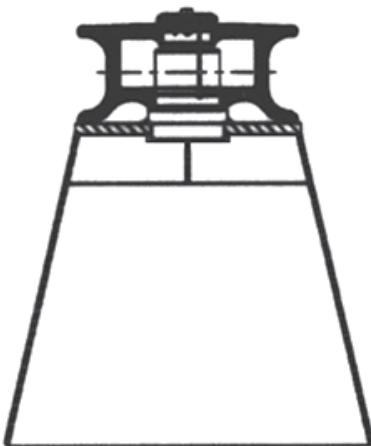


Pedestal Rollers

Please note that dimensions and weights are nominal and small variations are reserved. E & OE

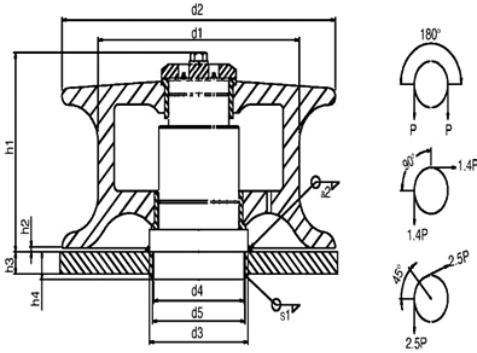
OTHER DECK PRODUCT

- Bullwark Mounted Circular Bows
- Bullwark Mounted in Flat Plate
- Bullwark Mounted Panama Bows
- Chain Stopper & Plinth
- Cruciform Bollards
- Deck Mounted Panama Bows
- Mooring Pipes
- Mooring Rollers
- Multi Angle Fairleads
- Pedestal Rollers
- Recessed Shell Bits
- Ships Bollards BSMA 12
- Ships Bollards NS 2584
- Ships Bollards VIS 1
- Smit Brackets



Mooring Rollers

Please note that dimensions and weights are nominal and small variations are reserved.
E & OE

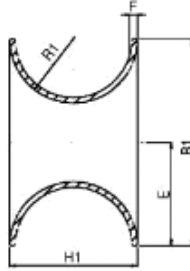
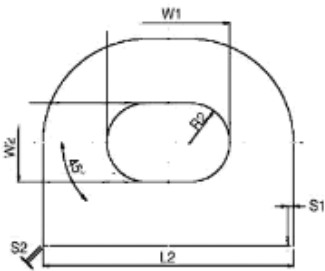


Size	d1	d2	d3	d4	d5	h1	h2	h3	h4	s1	s2	P
150	150	240	105	85	90	158	5	25	40	8	6	15.8
200	200	310	130	110	115	190	5	25	40	8	6	19.8
250	250	380	150	130	135	245	6	25	40	8	8	28.5
300	300	440	170	150	155	270	7	35	50	8	8	33.6
350	350	500	190	170	175	294	7	35	50	10	10	44.8
400	400	560	200	180	185	332	7	35	50	12	12	58
450	450	630	225	205	210	341	7	35	50	12	12	64.2
500	500	680	245	225	230	358	7	40	50	15	15	84.3

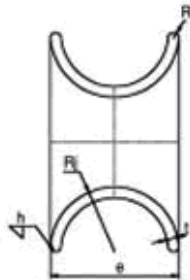
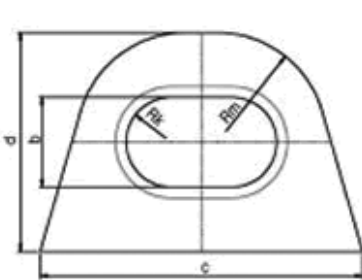
- 'P' is the breaking load in tonnes on the line which is to be used with the roller fairlead
- Please state if the horn is required

Deck Mounted Panama Bows

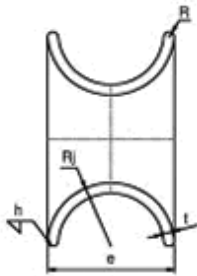
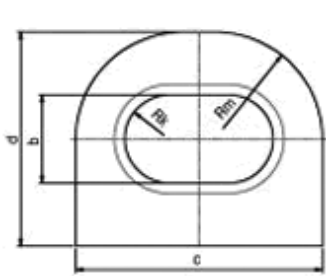
Please note that dimensions and weights are nominal and small variations are reserved.
E & OE



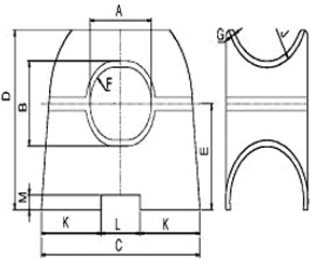
Type	Kn	B1	E	F	H1	L2	R1	R2	S1	S2	W1	W2	Weight (Kgs)
C5	50	480	240	24	300	550	150	90	16	8	250	180	85
C8	80	585	292.5	27	260	680	180	112.5	18	9	320	225	136
C12	125	710	355	30	440	840	220	135	20	10	400	270	211
C20	200	840	420	33	520	1020	260	160	22	11	500	320	325
C32	320	1100	550	35	700	1300	350	200	35	20	600	400	840



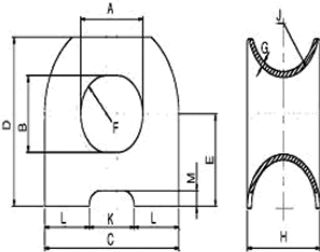
Standard	Size	a	b	c	d	e	Rj	Rk	Rm	R	t	h	Weight (Kgs)
DVS 47005 Danish Std	400 x 250	400	250	900	610	360	180	125	305	15	30	10	~



Standard	Size	a	b	c	d	e	Rj	Rk	Rm	R	t	h	Weight (Kgs)
Vis 3 Swedish Std	300 x 200	300	200	530	430	230	115	100	215	12.5	25	8	85
Vis 3 Swedish Std	400 x 250	400	250	760	610	360	180	125	305	12.5	25	8	185
DVS 47005 Danish Std	300 x 250	330	250	660	610	360	180	125	305	10	20	8	117
DVS 47005 Danish Std	400 x 250	400	250	760	610	360	180	125	305	12.5	28	8	185
NS 2590 Norsk Std	300 x 250	300	250	660	610	360	180	125	305	10	20	~	117



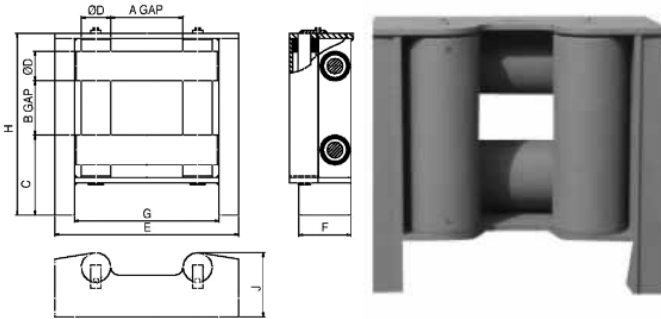
Std	Size	A	B	C	D	E	F	G	H	J	K	L	M	Weight (Kgs)
Amazon	315 x 250	315	250	815	620	365	125	22	380	190	307.5	200	50	~
Nile	425 x 280	425	280	1075	785	450	140	26	500	250	412.5	250	60	378
Hudson	600 x 450	600	450	1360	1000	575	225	30	560	280	530	300	70	628



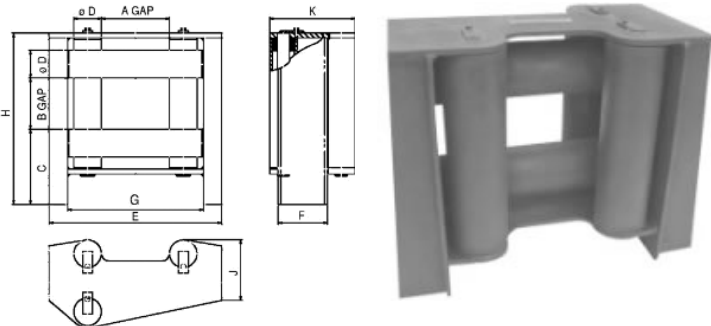
Std	Size	A	B	C	D	E	F	G	H	J	K	L	M	Weight (Kgs)
Tyne	305 x 254	305	254	660	559	305	127	19	356	178	222	216	51	133
Clyde	305 x 254	305	254	660	673	420	127	19	356	178	222	216	51	142
Team	356 x 254	356	254	712	559	305	127	19	356	178	248	216	51	136
Spey	356 x 254	356	254	712	673	420	127	19	356	178	248	216	51	140
Ouse	400 x 270	400	270	712	559	305	135	19	356	229	248	216	51	137
Team Plus	406 x 254	406	254	762	559	305	127	19	356	178	248	267	51	155
Tamar Plus	508 x 406	508	406	864	711	381	203	19	356	178	286	292	51	229
Tamar	610 x 305	610	305	965	610	330	152	19	356	178	324	319	51	200

Multi-Angle Fairleads

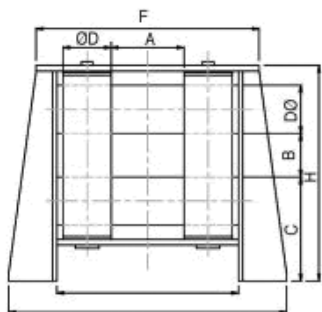
Please note that dimensions and weights are nominal and small variations are reserved.
E & OE



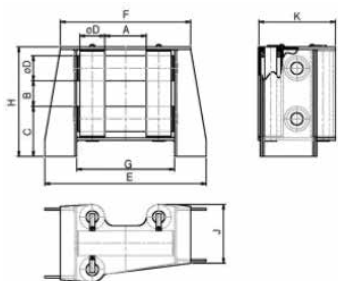
Type	Part Number	SWL (tonnes)	Diameter Wire Rope	A	B	C	D	E	F	G	H	J
114	A2-605	5	-10	254	152	309	114	686	203	534	645	248
140	A2-608	8	-16	254	152	335	140	756	254	578	697	300
168	A2-610	12	-20	254	152	363	168	812	305	634	753	356
194	A1-612	20	-28	324	200	389	194	966	381	762	853	408
273	A1-614	24	-32	324	200	543	273	1124	432	920	1111	566



Type	Part Number	SWL (tonnes)	Diameter Wire Rope	A	B	C	D	E	F	G	H	J	K
114	A2-606	5	-10	254	152	309	114	686	203	534	645	248	362
140	A2-609	8	-16	254	152	335	140	756	254	578	697	300	440
168	A2-611	12	-20	254	152	363	168	812	305	834	753	356	524
194	A1-613	20	-28	324	200	389	194	966	381	762	853	408	602
273	A1-615	24	-32	324	200	543	273	1124	432	920	1111	566	838



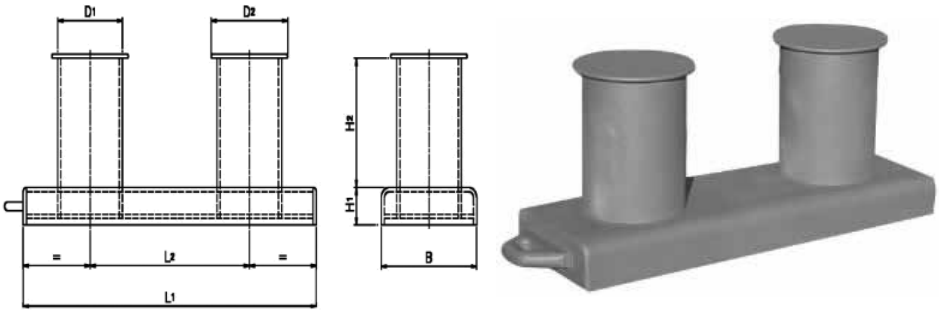
Type	Part Number	SWL (tonnes)	Diameter Wire Rope	A	B	C	D	E	F	G	H	J
114	A2-562	8	10 - 15	254	152	309	114	800	666	534	645	280
140	A2-525x	12	16 - 20	254	152	335	140	898	724	578	697	356
168	A2-551x	16	21 - 26	254	152	363	168	970	778	634	753	407
194	A1-556	25	27 - 34	324	200	389	194	1258	1016	762	853	457
273	A1-511	38	35 - 40	324	200	543	273	1492	1168	920	1111	682
324	A1-563	45	41 - 44	324	200	624	324	1652	1290	1022	1223	698
356	A1-564	~	~	508	254	706	356	1950	1550	1270	1441	764
406	A1-565	~	~	508	254	756	406	2390	1300	1420	1541	914



Type	Part Number	SWL (tonnes)	Diameter Wire Rope	A	B	C	D	E	F	G	H	J	K
114	A2-567	8	10 - 15	254	152	309	114	800	666	534	645	280	362
140	A2-527	12	16 - 20	254	152	335	140	898	724	578	697	356	440
168	A2-553	16	21 - 26	254	152	363	168	970	778	634	753	400	524
194	A1-558	25	27 - 34	324	200	389	194	1258	1016	762	853	457	602
273	A1-513	38	35 - 40	324	200	543	273	1492	1168	920	1111	682	838
324	A1-570	45	41 - 44	324	200	624	324	1652	1290	1022	1223	698	992
356	A1-571	~	~	508	254	706	356	1950	1550	1270	1441	764	1088
406	A1-572	~	~	508	254	756	406	2390	1800	1420	1541	914	1270

Ships Bollards BSMA 12

Please note that dimensions and weights are nominal and small variations are reserved.
E & OE

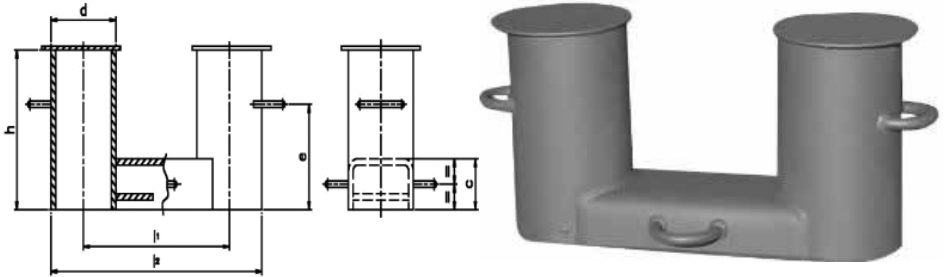


Type	f		Tube		Plate		il	i2	h1	h2	b	d2	Weight kg
	M	T	d1	s	d1	s							
125	4.06	12	140	10	125	10	560	320	200	75	200	150	40
160	5.85	12	168	10	160	10	720	400	250	90	250	200	66
200	7.96	17	219	10	200	10	900	500	300	100	300	250	97
250	13.2	30	273	10	250	10	1130	630	380	125	380	300	145
315	19.7	50	324	12.5	312	12.5	1430	800	480	150	480	400	309
400	33.5	100	406	20	400	20	1800	1000	600	175	600	480	735
500	55.4	130	508	20	500	20	2250	1250	750	200	750	600	1148
630	82.8	160	610	20	630	20	2830	1570	940	225	940	730	1673

- Maximum permissible load in bollard **f** tonnes
- when mooring **M** tonnes
- when towing **T** tonnes

Ships Bollards NS2584

Please note that dimensions and weights are nominal and small variations are reserved.
E & OE

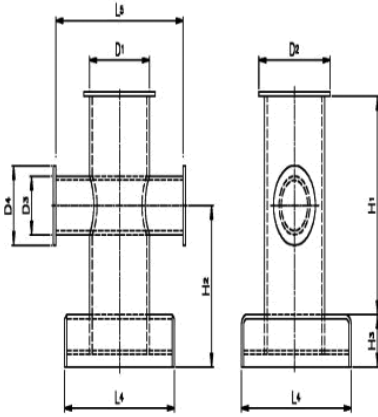


Type	f		d	c	e	h	il	i2	Weight kg
	M	T							
125	4.5	13.2	140	80	165	250	315	455	26
160	5.6	15.8	168	90	195	300	400	568	37
200	10.2	29	219	100	250	400	500	719	75
250	13.2	37.2	273	125	315	500	630	903	124
315	20.9	55	324	150	375	600	800	1124	230
400	28.5	75.4	406	175	435	700	1000	1406	356
500	52	123.4	508	200	515	830	1250	1758	723
630	62.7	158.1	610	225	615	1000	1570	2180	1084
710	83.1	219.3	711	250	675	1100	1750	2461	1532

- Maximum permissible load in bollard f tonnes
- when mooring M tonnes
- when towing T tonnes
- The bollard can be loaded with two mooring ropes each with a breaking strength not exceeding th values in the table
- The bollard can be loaded with one towing rope laid in a single sling over one of the bits and with a breaking strength not exceeding the values in the table

Cruciform Bollard

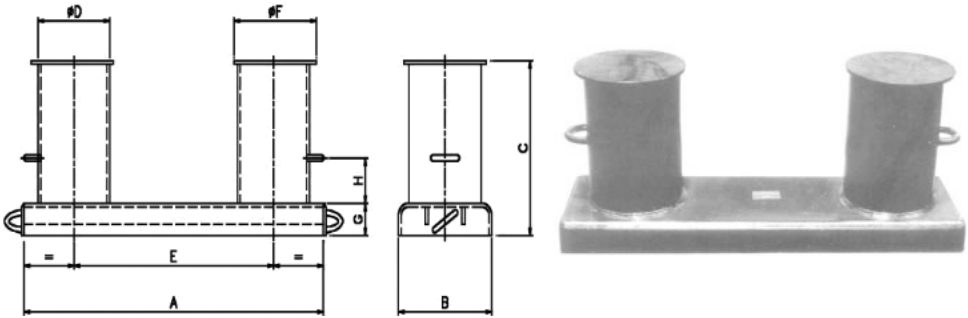
Please note that dimensions and weights are nominal and small variations are reserved.
E & OE



Nominal Size of Bollard	SWL	Bitt Diameter D1	D2	D3	D4	H1	H2	H3	L4	L5
	Tonne	mm	mm	mm	mm	mm	mm	mm	mm	mm
250	25	273	325	140	190	520	385	125	500	580
315	40	324	400	168	200	660	480	150	630	725

Ships Bollards VIS 1

Please note that dimensions and weights are nominal and small variations are reserved.
E & OE

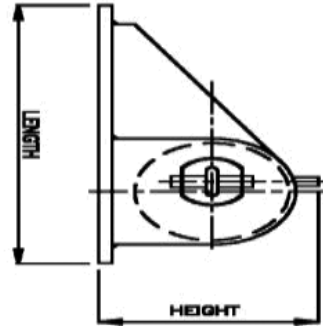
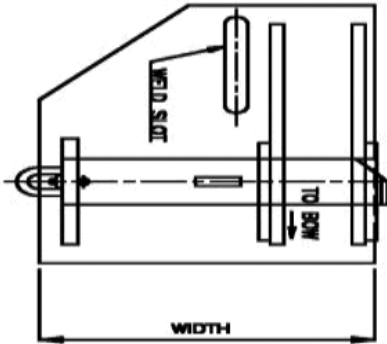


Type	Part Number	f	Weight (kgs)	A	B	C	D	E	F	G	H
100	A3.072	5.0	35	600	210	310	114	350	145	100	65
150	A3.073	10.0	59	800	260	385	168	500	205	100	90
200	A3.074	15.5	98	950	330	460	219	600	255	100	115
230	A3.075	17.0	113	1030	350	470	244	680	300	100	120
250	A3.076	20.0	135	1150	370	520	273	750	320	110	130
300	A3.077	28.0	210	1350	420	597	324	900	370	110	155
350	A3.078	32.0	328	1500	470	657	356	1000	405	110	175
400	A3.080	40.0	418	1650	540	740	406	1100	450	125	200
450	A3.081	54.0	499	1800	600	790	457	1200	510	125	215
500	A3.082	60.0	586	1950	650	840	508	1300	560	125	230
550	A3.083	68.0	684	2100	700	890	559	1400	610	125	250
600	A3.084	80.0	900	2270	770	945	612	1500	660	125	270

- Suitable for wire or rope with a breaking strain of 'f' tonnes when cross belayed on the bollard
- Type 100 and 150 have centre rib only

Smit Bracket

Please note that dimensions and weights are nominal and small variations are reserved.
E & OE



Type	Chain Size	Overall	Width	Height	SWL
OCIMF Smit Brackets	76	900	800	485	~
Small Smit Brackets	54	625	600	365	~